

Lighting is about creating an environment that uses light as the main medium of expression. It means having one's work blend seamlessly with the architecture, often at the risk of not being seen. It's about giving definition to a space.







## Project Lighting

A combination of standard and customizable products lending themselves to large projects that require multiple versions of the same style luminaires to accomplish the desired design intent. ALM is singularly focused on budget conscious opportunities that can take advantage of a flexible design approach and prime manufacturing to deliver value to the project.

The logo for inter•lux, featuring the word 'inter' in a lowercase sans-serif font, followed by a dot, and then 'lux' in a lowercase sans-serif font.





## The Standard Product Range

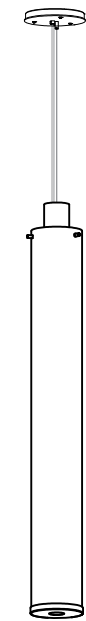
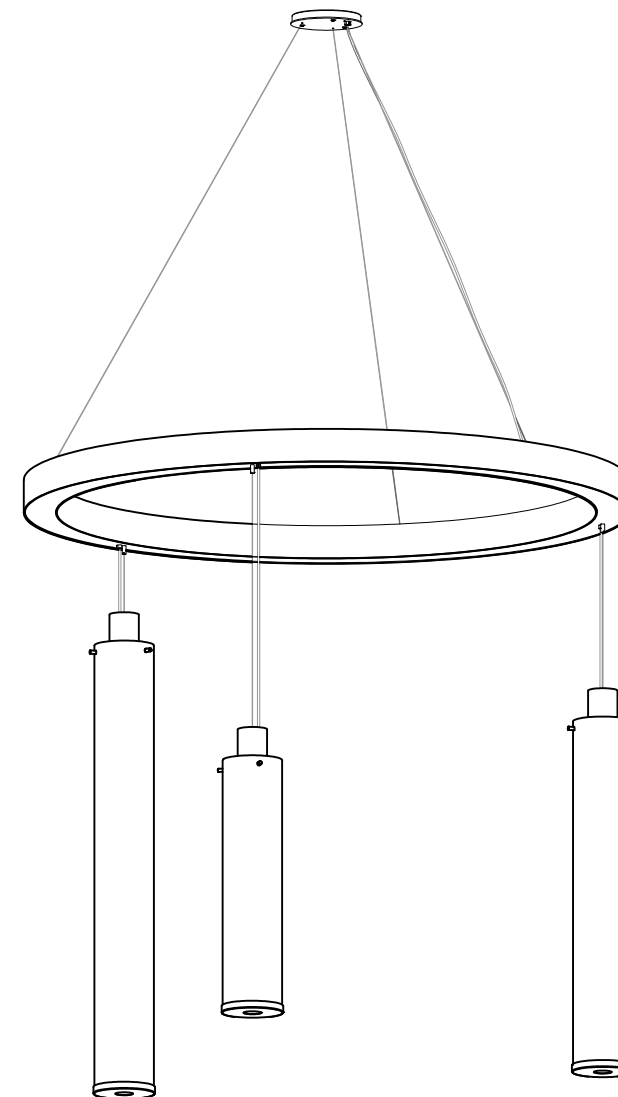
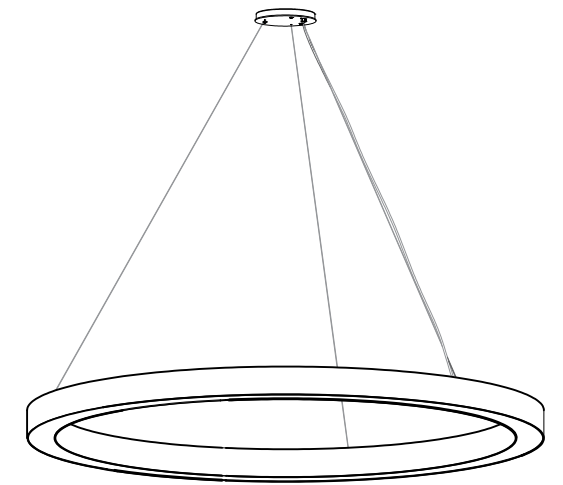
The ALM Standards range is characterized by clean lines, architectural shapes and the latest, most efficient LED lighting sources and controls. By maintaining a no-frills approach to the standard products, ALM leaves a lot of room for the designer to tailor to their requirements and budget.





## Assemblies

By combining Standards into Assemblies, new and significantly larger scale products can be configured that will extend the reach of the product range, as well as deliver continuity to the overall aesthetic and performance of the design.

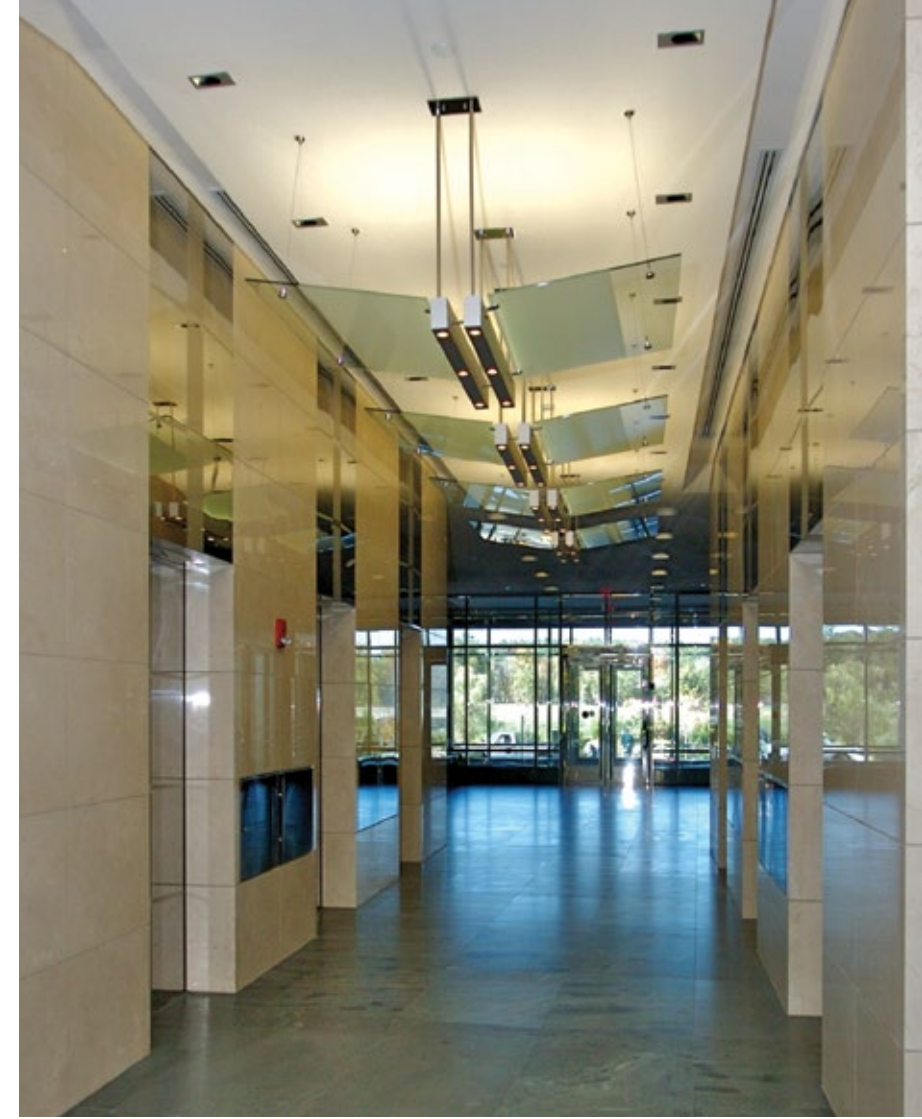




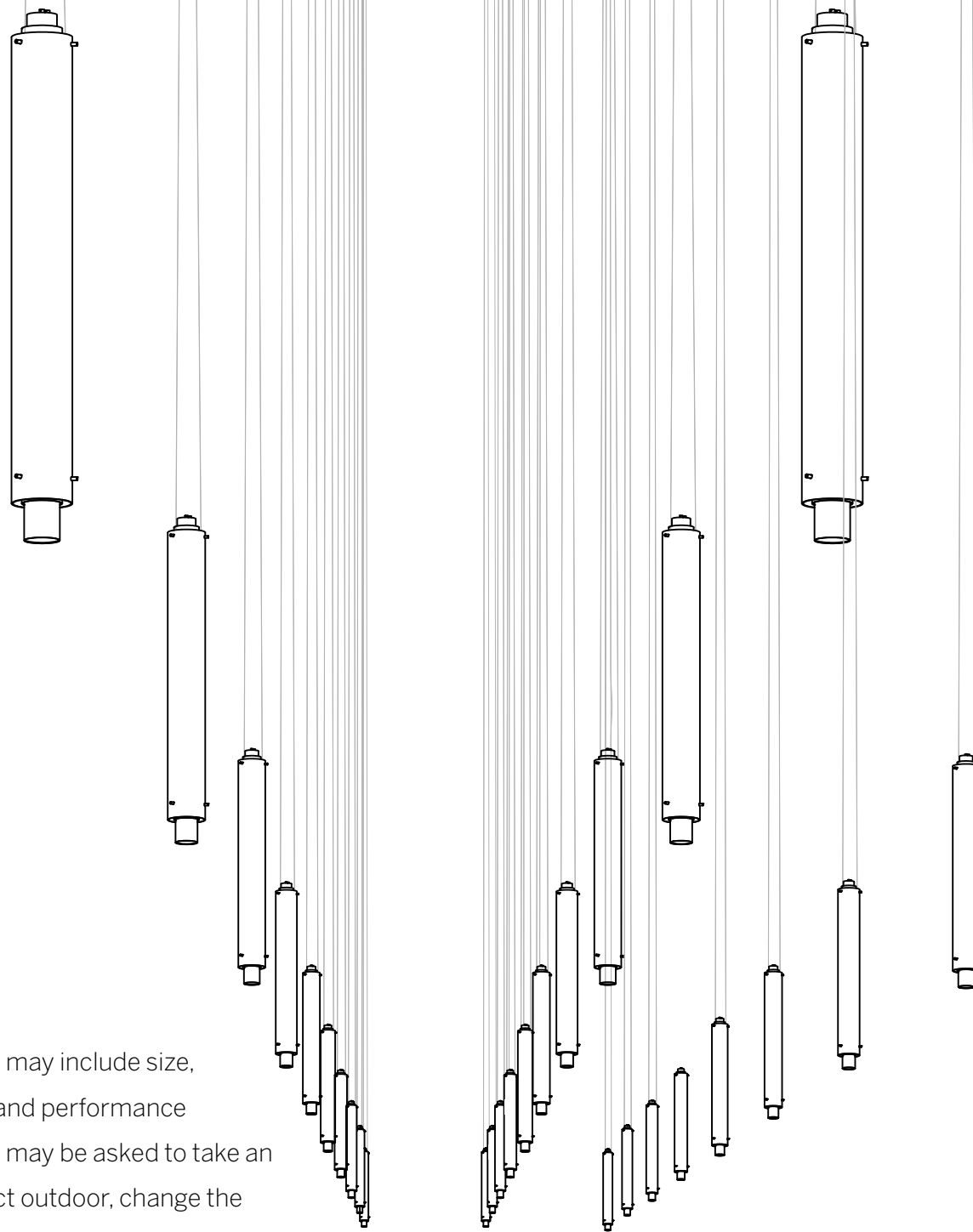


## Modified

Families of luminaires in multiple sizes provide a wide selection of lighting performance characteristics that will accomplish the aesthetic as well as the illumination tasks. Often a modification is required to augment an architectural detail or to illuminate a feature. In that case, ALM is fully capable of meeting the design requirements.







Modifications may include size, shape, finish and performance variants. ALM may be asked to take an indoor product outdoor, change the mounting from pendant to wall mount or add architectural details to an existing product that totally changes the aesthetic.





## Custom

Often a truly unique product is required to accommodate differing scale spaces, and lighting applications while maintaining a common appearance and language.

ALM will produce custom lighting products to fit most commercial projects while maintaining a budget.

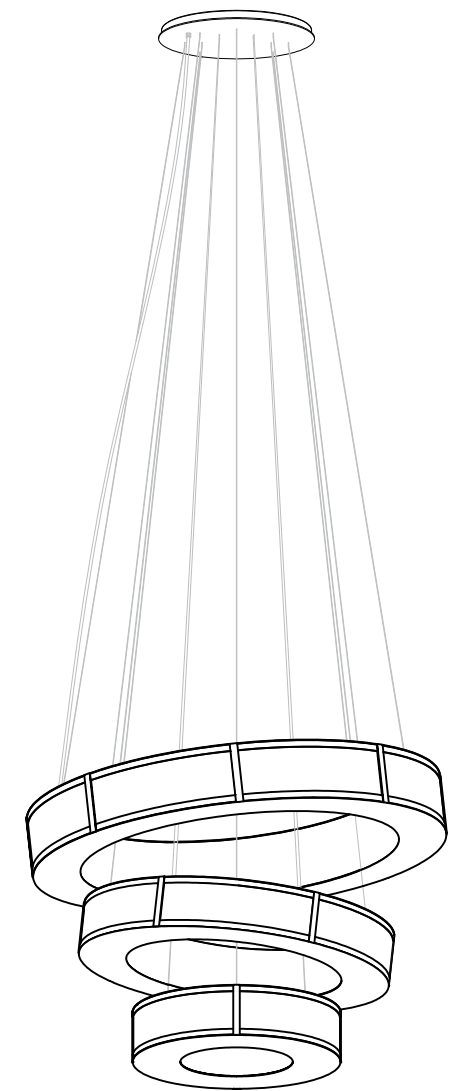
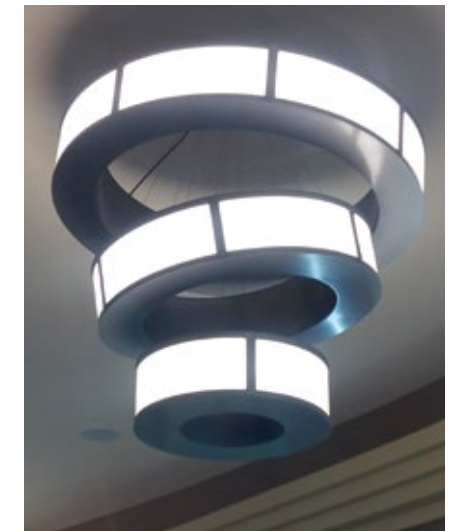
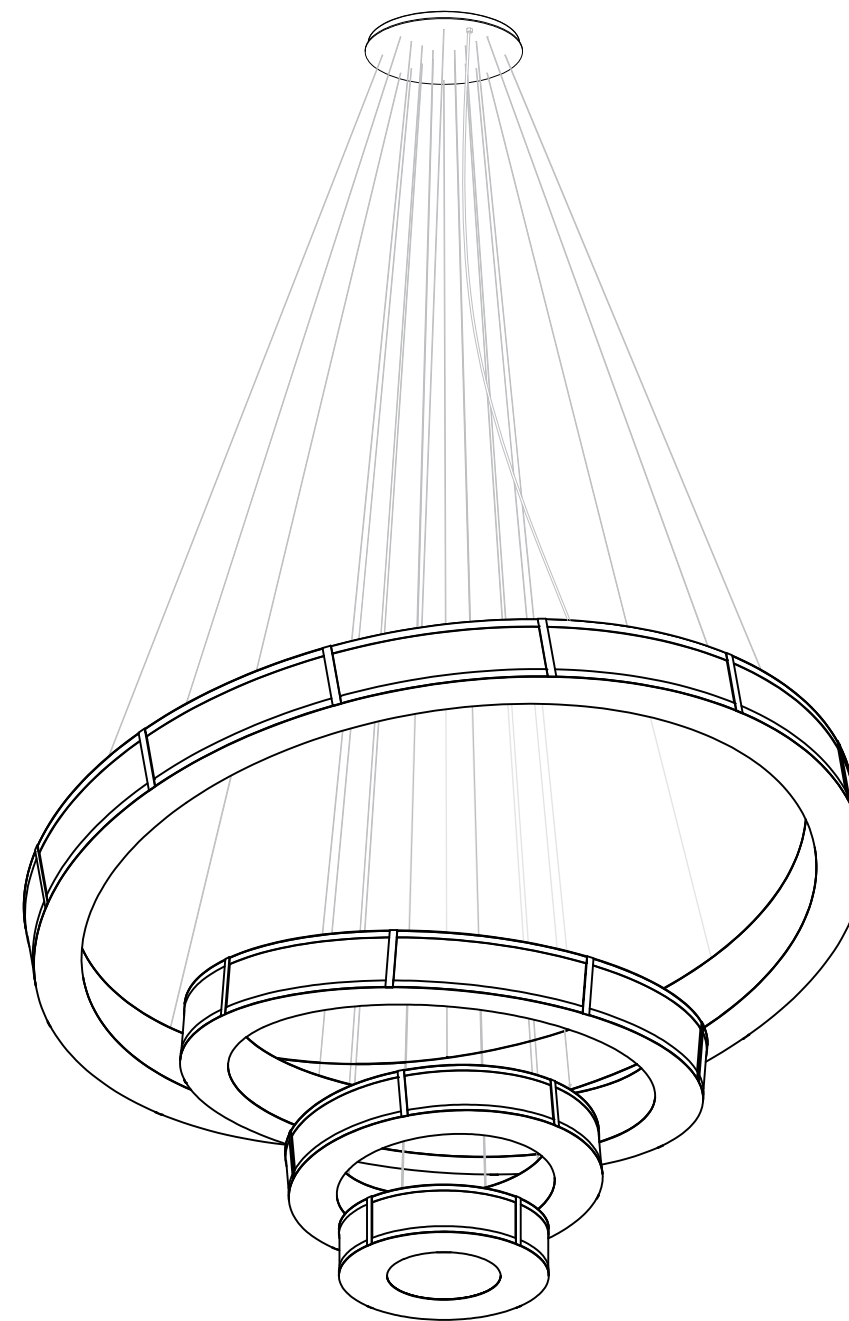
- Larger or smaller scale
- Outdoor versions of indoor products
- Adding separately controlled uplight or downlight components
- Designed hanging structures for single or multiple products
- Color changing or dynamic white light
- Finish or material changes to match or contrast architectural elements
- Standard, modified and or complete custom















## Technology

ALM utilizes the same state-of-the-art and fully supported LED solutions as Whitegoods and other Inter-lux products in order to maintain a consistency of performance and appearance throughout the project. Regardless of which product in the ALM and Whitegoods lines are utilized, the same high-standards

are applied, bringing you consistency of CRI, lumen output, dimming characteristics and performance data. Look for the Inter-lux CV or CC LED board data on all linear products, as well as the Cree LED reference to ensure that you are adequately matching your LED products.

### Linear LED

- Replaceable boards for sustainability.
- Available in any continuous length to accommodate exacting installations.
- Multiple wattages and lumen output for maximum flexibility within any application.
- 82 or 90 CRI.
- 3 step MacAdam.
- Four standard color temperatures from 2700K-4000K.
- Compatible with all common dimmer and control standards.
- High efficiency design delivers more lumens per watt.
- Consistent throughout ALM products for color and performance consistency.
- 5-year warranty.

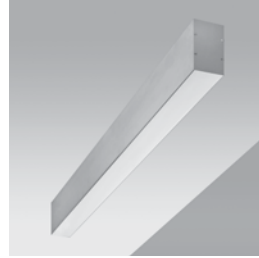


For discrete LED engine requirements, ALM standardizes on the latest state-of-the-art devices, and maintains consistency throughout the range, as well as matching with other Inter-lux Brand offerings.



# Contents

## ceiling



Clearline Ceiling 41



Ciro SQ 31



Ciro RD 33



Fuse 47



Puck 55



Stick M 71

## pendant



Arc 23



Arc UD 25



Aura 29



Ciro SQ 31



Ciro RD 33



Clearline Pendant 39



Frame 45

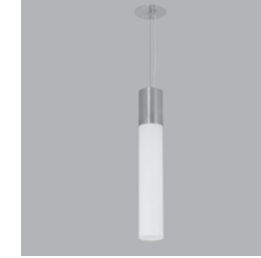


Fuse 47

## pendant



Gran Fuse 49



Plume 53



Puck 55



Ring D 57



Ring UD 59



Ring U 61



Step 65



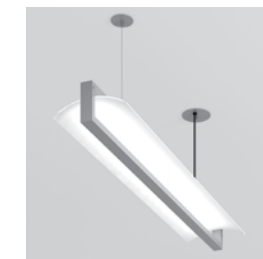
Step RC 67



Stick 69



Stick M 71

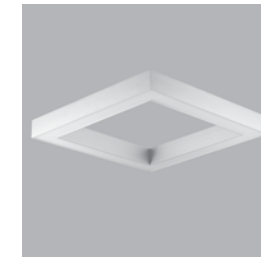


Wing AR 77

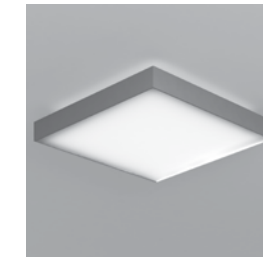
## surface



Aura 29



Frame 45



Step 65



Step RC 67



# Contents

## surface



Wing AR 77

## wall



City Indoor 35



Clearline Wall 43



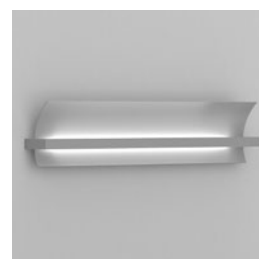
Nordik 51



Sigma 63



Wedge 73



Wing 75

## outdoor



City Outdoor 37



Nordik 51



Sigma 63



Wedge 73

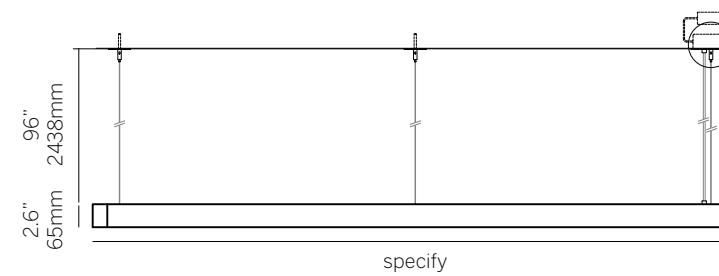
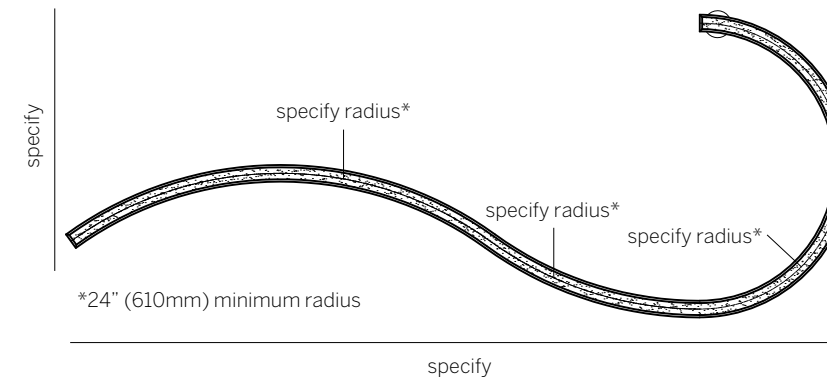
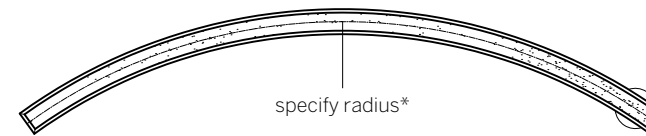
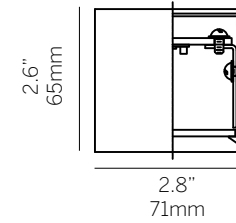






## Arc

Arc is a completely customizable channel designed to provide direct or indirect lighting and a means to suspend luminaires. Open arcs, ellipses and compound curves can be realized to exacting dimensions.



### Notes

- <sup>1</sup> Separately specify any downlighting elements
- <sup>2</sup> Nominal lumens
- <sup>3</sup> For no direct or indirect light specify 00
- <sup>4</sup> 82 CRI standard / 90 CRI available
- <sup>5</sup> Canopy finish matches housing
- <sup>6</sup> 96" clear insulated cable standard

**Model 1694<sup>1</sup>**

**1694**

### Type

P Pendant

**P**

### Size

Specify radius  
Specify length

### Wattage<sup>2</sup>

Specify direct or indirect light<sup>3</sup>

### Direct

LD 3 W/ft (133lm/W)  
MD 6 W/ft (124lm/W)  
HD 10 W/ft (114lm/W)

### Indirect

LI 3 W/ft (133lm/W)  
MI 6 W/ft (124lm/W)  
HI 10 W/ft (114lm/W)

### Color Temp<sup>4</sup>

827 2700  
830 3000  
835 3500  
840 4000  
RGB RGB

### Voltage

U 120/277  
1 120VAC only

### Control (Remote 24V)

S Non-dim  
D010 0-10V 10%  
DFPN Lutron Forward Phase 1% 120VAC  
L3DAE Lutron Hi-lume 1% EcoSystem  
L3D0E Lutron Hi-lume Premier 0.1% EcoSystem  
DMX DMX dimming

### Diffuser

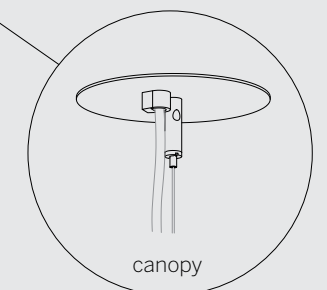
SW Satin opal acrylic (bottom)  
SA Satin clear acrylic (top)

### Finish<sup>5</sup>

19 Painted anodized aluminum - RAL 9006 matte  
21 Painted White - RAL 9010 matte  
26 Painted black - RAL 9005 matte  
22 Painted custom color

### Options

CC Clear insulated cable (standard)<sup>6</sup>  
WC White cable  
BC Black cable



canopy



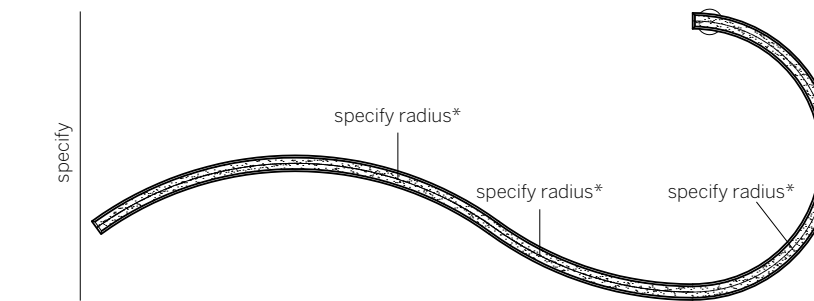
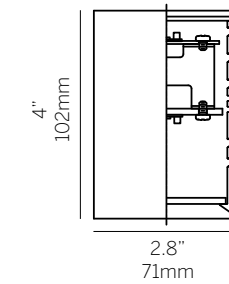
For up to date technical information, refer to [inter-lux.com/alm](http://inter-lux.com/alm)



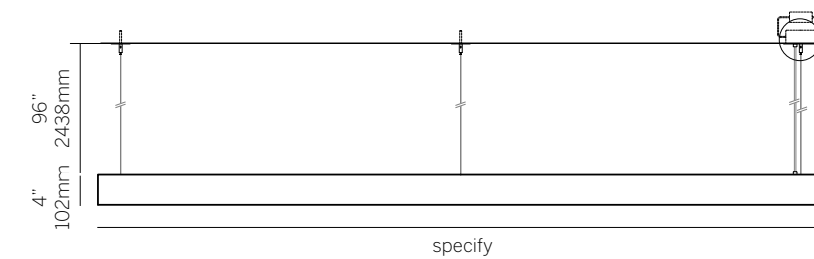


## Arc UD

Arc UD is a completely customizable channel designed to provide direct / indirect lighting and a means to suspend luminaires. Open arcs, ellipses and compound curves can be realized to exacting dimensions.



\*24" (610mm) minimum specify



### Notes

- <sup>1</sup>Separately specify any downlighting elements
- <sup>2</sup>Nominal lumens
- <sup>3</sup>For no direct or indirect light specify 00
- <sup>4</sup>82 CRI standard / 90 CRI available
- <sup>5</sup>Canopy finish matches housing
- <sup>6</sup>96" clear insulated cable standard

**Model 1695<sup>1</sup>** **1695**

**Type**  
P Pendant **P**

**Size**  
Specify radius \_\_\_\_\_  
Specify length \_\_\_\_\_

**Wattage<sup>2</sup>**  
Specify direct and/or indirect light<sup>3</sup>

Direct \_\_\_\_\_  
LD 3 W/ft (133lm/W) \_\_\_\_\_  
MD 6 W/ft (124lm/W) \_\_\_\_\_  
HD 10 W/ft (114lm/W) \_\_\_\_\_

Indirect \_\_\_\_\_  
LI 3 W/ft (133lm/W) \_\_\_\_\_  
MI 6 W/ft (124lm/W) \_\_\_\_\_  
HI 10 W/ft (114lm/W) \_\_\_\_\_

**Color Temp<sup>4</sup>**  
827 2700 \_\_\_\_\_  
830 3000 \_\_\_\_\_  
835 3500 \_\_\_\_\_  
840 4000 \_\_\_\_\_  
RGB RGB \_\_\_\_\_

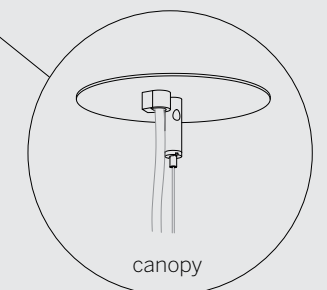
**Voltage**  
U 120/277 \_\_\_\_\_  
I 120VAC only \_\_\_\_\_

**Control (Remote 24V)**  
S Non-dim \_\_\_\_\_  
D010 0-10V 10% \_\_\_\_\_  
DFPN Lutron Forward Phase 1% 120VAC \_\_\_\_\_  
L3DAE Lutron Hi-lume 1% EcoSystem \_\_\_\_\_  
L3DOE Lutron Hi-lume Premier 0.1% EcoSystem \_\_\_\_\_  
DMX DMX dimming \_\_\_\_\_

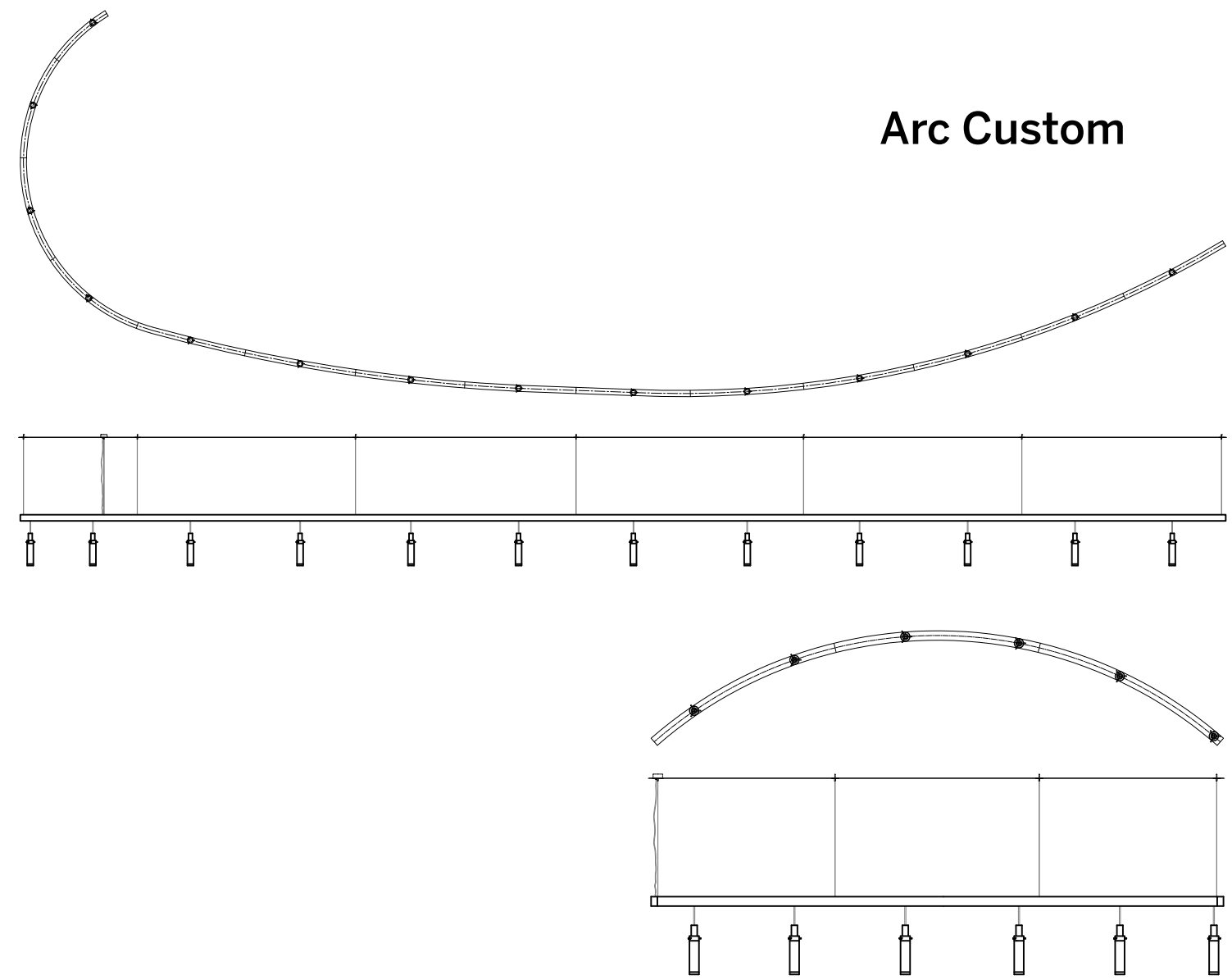
**Diffuser**  
SW Satin opal acrylic (bottom) **SW**  
SA Satin clear acrylic (top) **SA**

**Finish<sup>5</sup>**  
19 Painted anodized aluminum - RAL 9006 matte \_\_\_\_\_  
21 Painted White - RAL 9010 matte \_\_\_\_\_  
26 Painted black - RAL 9005 matte \_\_\_\_\_  
22 Painted custom color \_\_\_\_\_

**Options**  
CC Clear insulated cable (standard)<sup>6</sup> \_\_\_\_\_  
WC White cable \_\_\_\_\_  
BC Black cable \_\_\_\_\_





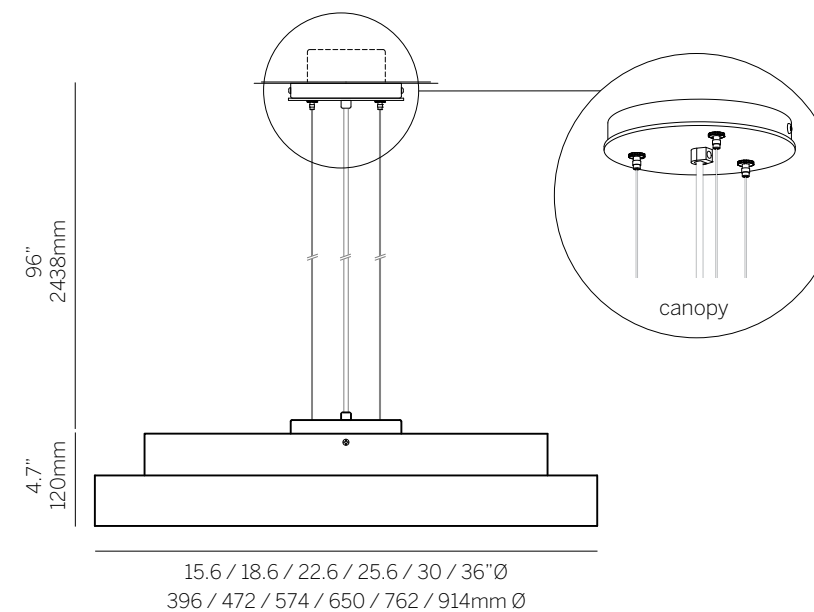




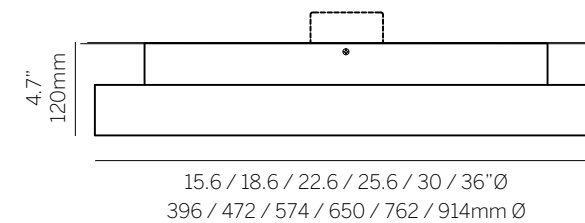


# Aura

Suspended and surface mostly direct luminaire with 10% uplight in multiple sizes and lumen packages to illuminate all size spaces.



Pendant



Surface

### Notes

- <sup>1</sup>Nominal lumens
- <sup>2</sup>82 CRI standard / 90 CRI available
- <sup>3</sup>Remote 15", 18", Integral 22", 25", 30", 36"
- <sup>4</sup>Canopy finish matches housing
- <sup>5</sup>96" clear insulated cable standard

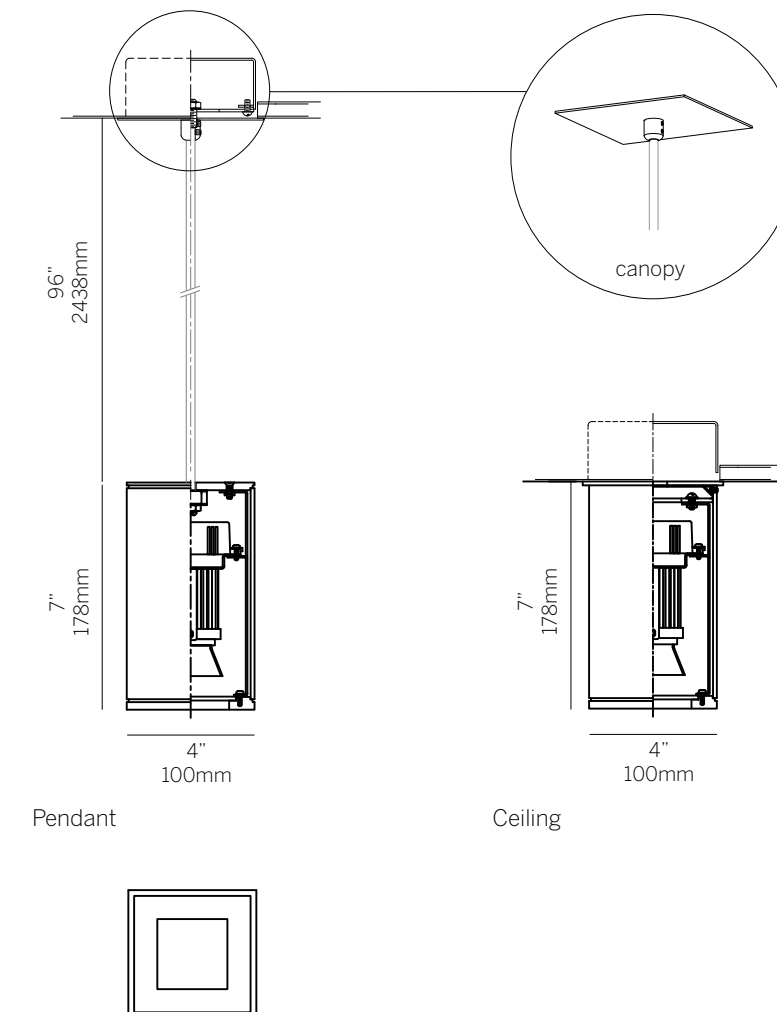
<b>Model 1520</b>	<b>1520</b>
<b>Type</b>	—
P	Pendant
S	Surface
<b>Size</b>	—
15	15.6" Ø
18	18.6" Ø
22	22.6" Ø
25	25.6" Ø
30	30" Ø
36	36" Ø
Custom	
<b>Wattage<sup>1</sup></b>	—
15"	
L	9W (1200lm)
M	18W (2229lm)
18"	
L	11W (1467lm)
M	22W (2724lm)
22"	
L	15W (2000lm)
M	30W (3715lm)
25"	
L	22W (2933lm)
M	44W (5449lm)
30"	
L	33W (4400lm)
M	66W (8173lm)
36"	
L	56W (7467lm)
<b>Color Temp<sup>2</sup></b>	—
827	2700
830	3000
835	3500
840	4000
<b>Voltage</b>	—
U	120/277
1	120VAC only
<b>Control (24V)<sup>3</sup></b>	—
S	Non-dim
D010	0-10V 10%
DFPN	Lutron Forward Phase 1% 120VAC
L3DAE	Lutron Hi-lume 1% EcoSystem
L3DOE	Lutron Hi-lume Premier 0.1% EcoSystem (Remote only)
<b>Diffuser</b>	
SW	Satin opal acrylic
	<b>SW</b>
<b>Finish<sup>4</sup></b>	—
19	Painted anodized aluminum - RAL 9006 matte
21	Painted white - RAL 9010 matte
22	Painted custom color
<b>Options</b>	
CC	Clear insulated cable (standard) <sup>5</sup>
WC	White cable
BC	Black cable





## Ciro SQ

Ciro SQ is a simple, economical solution to provide general illumination. Use Ciro SQ as a suspended or ceiling luminaire.



<b>Model 1280</b>		<b>1280</b>
<b>Type</b>		
P	Pendant	
C	Ceiling	
<b>Size</b>		
7	7"	
Custom		
<b>Wattage<sup>1</sup></b>		
L	8.4W (131lm) @ 500mA	
M	12.6W (1710lm) @ 700mA	
<b>Color Temp<sup>2</sup></b>		
827	2700	
830	3000	
835	3500	
840	4000	
<b>Voltage</b>		
U	120/277	
1	120VAC only	
<b>Control (Constant Current)</b>		
S	Non-dim (Integral)	
D010	0-10V 10% (Integral)	
ECO30W	EldoLED 0-10V 1% (Remote)	
DFPN	Lutron Forward Phase 1% 120VAC (Remote)	
PEQ1	Lutron Hi-lume 1% EcoSystem (Remote)	
PEQ0	Lutron Hi-lume Premier 0.1% EcoSystem (Remote)	
<b>Diffuser</b>		
SA	Satin clear acrylic	<b>SA</b>
<b>Finish<sup>3</sup></b>		
19	Painted anodized aluminum - RAL 9006 matte	
21	Painted white - RAL 9010 matte	
26	Painted black - RAL 9005 matte	
22	Painted custom color	
<b>Options</b>		
CC	Clear insulated cable (standard) <sup>4</sup>	
WC	White cable	
BC	Black cable	

### Notes

- <sup>1</sup>Nominal lumens
- <sup>2</sup>82 CRI standard / 90 CRI available
- <sup>3</sup>Canopy finish matches housing
- <sup>4</sup>96" clear insulated cable standard



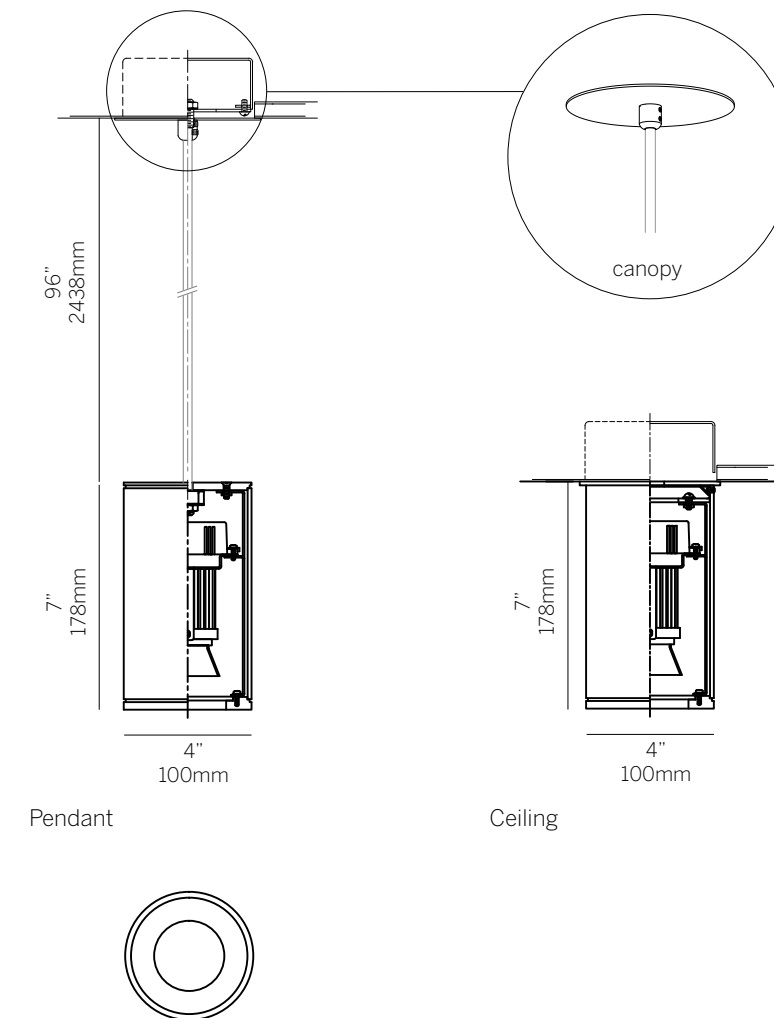
For up to date technical information, refer to [inter-lux.com/alm](http://inter-lux.com/alm)





## Ciro RD

Ciro RD is a simple, economical solution to provide general illumination. Use Ciro RD as a suspended or ceiling luminaire.



**Model 1282** **1282**

**Type**  
 P Pendant  
 C Ceiling

**Size**  
 7 7"  
 Custom

**Wattage<sup>1</sup>**  
 L 8.4W (131lm) @ 500mA  
 M 12.6W (1710lm) @ 700mA

**Color Temp<sup>2</sup>**  
 827 2700  
 830 3000  
 835 3500  
 840 4000

**Voltage**  
 U 120/277  
 1 120VAC only

**Control (Constant Current)**  
 S Non-dim (Integral)  
 D010 0-10V 10% (Integral)  
 ECO30W EldoLED 0-10V 1% (Remote)  
 DFPN Lutron Forward Phase 1% 120VAC (Remote)  
 PEQ1 Lutron Hi-lume 1% EcoSystem (Remote)  
 PEQ0 Lutron Hi-lume Premier 0.1% EcoSystem (Remote)

**Diffuser**  
 SA Satin clear acrylic **SA**

**Finish<sup>3</sup>**  
 19 Painted anodized aluminum - RAL 9006 matte  
 21 Painted white - RAL 9010 matte  
 26 Painted black - RAL 9005 matte  
 22 Painted custom color

**Options**  
 CC Clear insulated cable (standard)<sup>4</sup>  
 WC White cable  
 BC Black cable

### Notes

<sup>1</sup>Nominal lumens

<sup>2</sup>82 CRI standard / 90 CRI available

<sup>3</sup>Canopy finish matches housing

<sup>4</sup>96" clear insulated cable standard



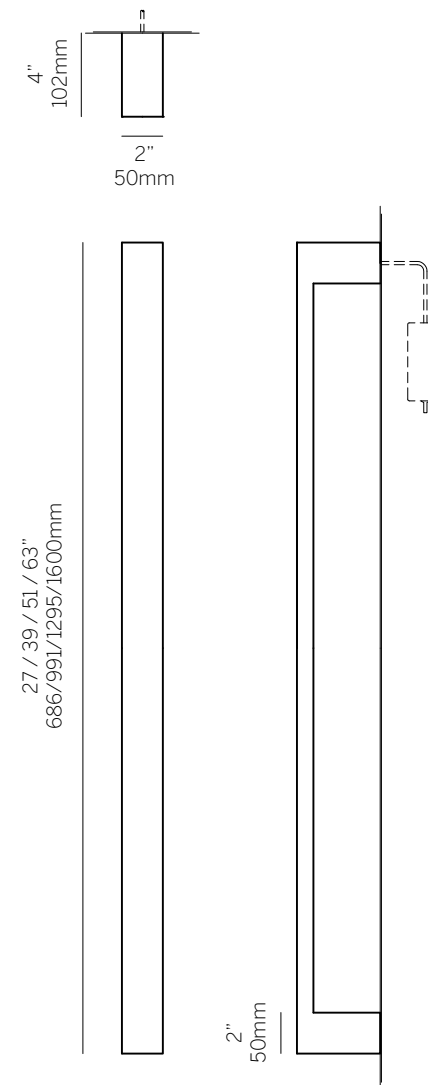
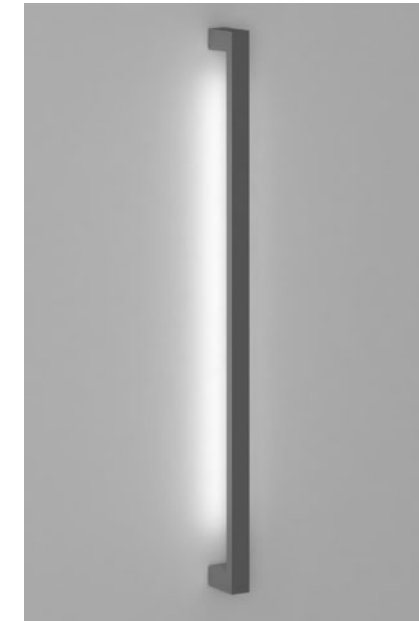
For up to date technical information, refer to [inter-lux.com/alm](http://inter-lux.com/alm)





## City Indoor

The simple clean lines of the fixture are an ideal solution for interior architectural surfaces. Wall mounted, vertically or horizontally oriented with indirect LED lighting.



### Notes

<sup>1</sup>Nominal lumens  
<sup>2</sup>82 CRI standard / 90 CRI available

For up to date technical information, refer to [inter-lux.com/alm](http://inter-lux.com/alm)

### Model 1825

1825

#### Type

W Wall

W

#### Size

27 27"  
 39 39"  
 51 51"  
 63 63"  
 Custom

#### Wattage<sup>1</sup>

27"  
 L 6W (733lm)  
 M 11W (1362lm)  
 H 19W (2152lm)  
 39"  
 L 9W (1133lm)  
 M 17W (2105lm)  
 H 29W (3326lm)  
 51"  
 L 12W (1533lm)  
 M 23W (2848lm)  
 H 39W (4500lm)  
 63"  
 L 15W (1933lm)  
 M 29W (3591lm)  
 H 49W (5674lm)

#### Color Temp<sup>2</sup>

827 2700  
 830 3000  
 835 3500  
 840 4000

#### Voltage

U 120/277  
 1 120VAC only

#### Control (Remote 24V)

S Non-dim  
 D010 0-10V 10%  
 DFPN Lutron Forward Phase 1%  
 120VAC  
 L3DAE Lutron Hi-lume 1% EcoSystem  
 L3DOE Lutron Hi-lume Premier 0.1%  
 EcoSystem

#### Diffuser

SA Satin clear acrylic

SA

#### Finish

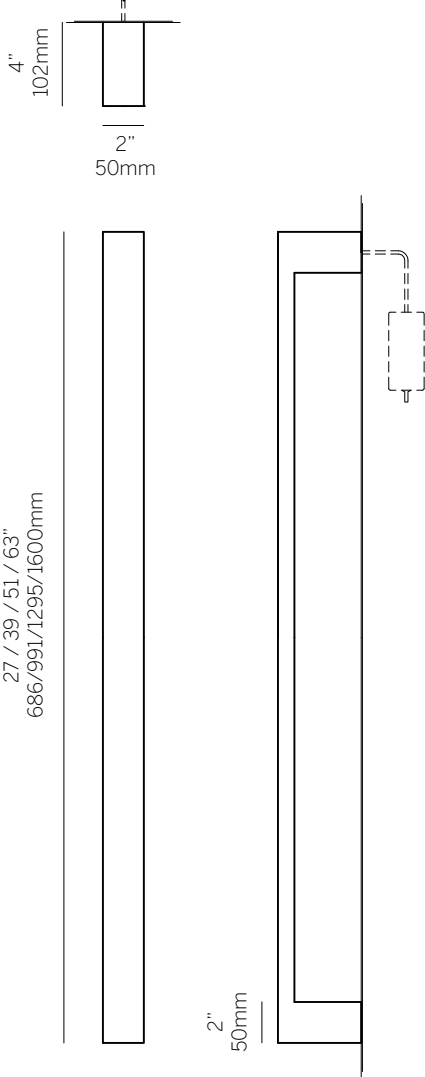
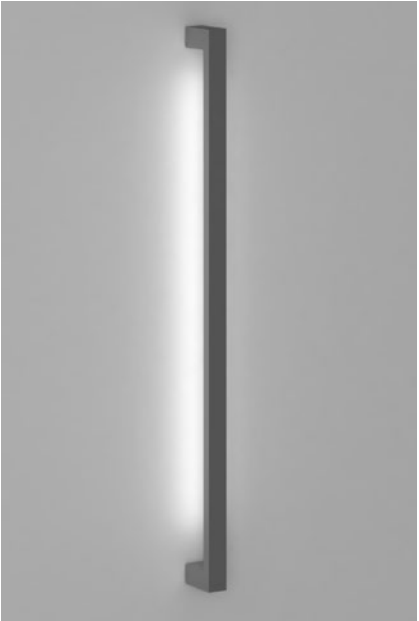
19 Painted anodized aluminum -  
 RAL 9006 matte  
 21 Painted white - RAL 9010 matte  
 26 Painted black - RAL 9005 matte  
 22 Painted custom color





# City Outdoor

The simple clean lines of the fixture are an ideal solution for any style architecture. Wall mounted, vertically or horizontally oriented, this outdoor rated luminaire is perfect for an accent or entrance application.



Model 1825WL <sup>1</sup>		1825WL
<b>Type</b>		
W	Wall	<b>W</b>
<b>Size</b>		
27"	27"	—
39"	39"	—
51"	51"	—
63"	63"	—
Custom		—
<b>Wattage<sup>2</sup></b>		
27"		—
L	10W (750lm)	—
39"		—
L	14W (1125lm)	—
51"		—
L	19W (1500lm)	—
63"		—
L	24W (1875lm)	—
<b>Color Temp<sup>3</sup></b>		
827	2700	—
830	3000	—
835	3500	—
840	4000	—
<b>Voltage</b>		
U	120/277	—
1	120VAC only	—
<b>Control (Remote 24V)</b>		
S	Non-dim	—
D010	0-10V 10%	—
DFPN	Lutron Forward Phase 1% 120VAC	—
L3DAE	Lutron Hi-lume 1% EcoSystem	—
L3DOE	Lutron Hi-lume Premier 0.1% EcoSystem	—
<b>Diffuser</b>		
SA	Satin clear acrylic	<b>SA</b>
<b>Finish</b>		
19	Painted anodized aluminum - RAL 9006 matte	—
21	Painted white - RAL 9010 matte	—
26	Painted black - RAL 9005 matte	—
22	Painted custom color	—

**Notes**  
<sup>1</sup>Suitable for wet location  
<sup>2</sup>Nominal lumens  
<sup>3</sup>82 CRI standard / 90 CRI available



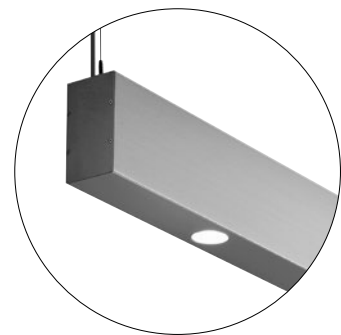
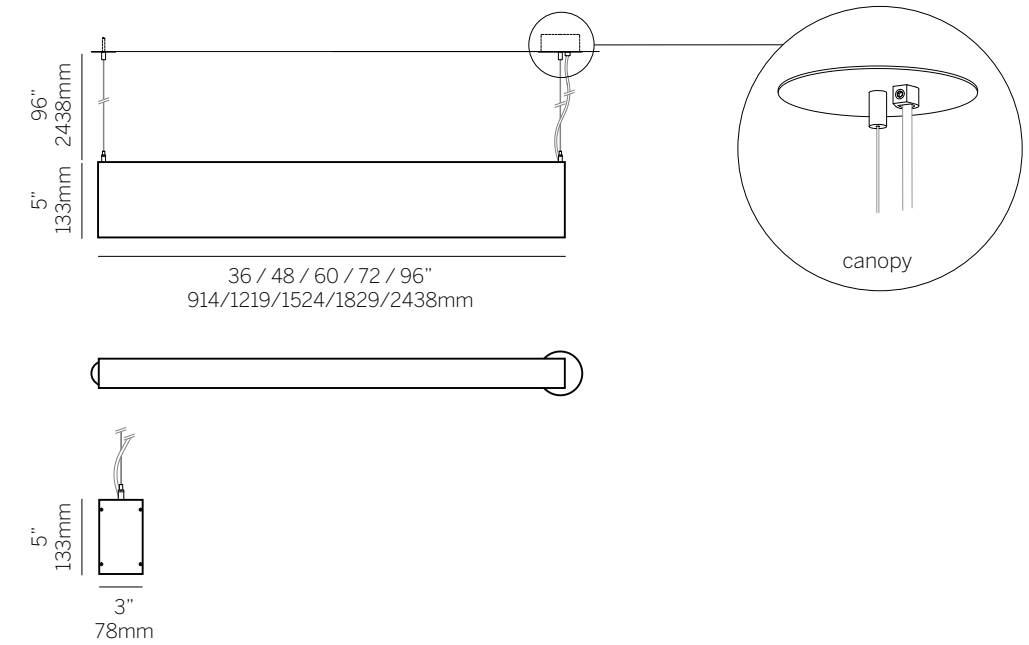
For up to date technical information, refer to [inter-lux.com/alm](http://inter-lux.com/alm)



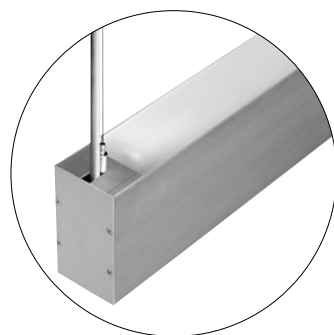


# Clearline Pendant

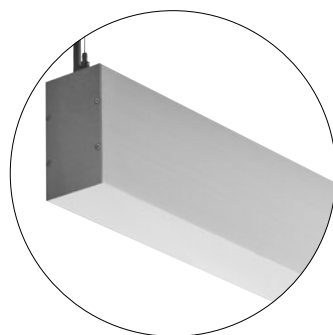
The Clearline pendant is designed for direct and indirect illumination in offices or reception desks. Accent downlights are provided with independent control circuit to accent surfaces below.



Accent



Indirect



Direct

<b>Model</b> CL2	<b>CL2</b>	<b>Color Temp<sup>3</sup></b>	_____
<b>Type</b>	<b>P</b>	827 2700	_____
P Pendant	<b>P</b>	830 3000	_____
<b>Size</b>	_____	835 3500	_____
36 36"		840 4000	_____
48 48"		<b>Voltage</b>	_____
60 60"		U 120/277	_____
72 72"		1 120VAC only	_____
96 96"		<b>Control (24V)</b>	_____
Custom		S Non-dim (Integral)	_____
<b>Wattage<sup>1</sup></b>		D010 0-10V 10% (Integral)	_____
direct <sup>2</sup>	indirect <sup>2</sup>	DFPN Lutron Forward Phase 1% 120VAC (Integral)	_____
36"		L3DAE Lutron Hi-lume 1% EcoSystem (Integral)	_____
LD 9W (1200lm)	LI 9W (1200lm)	L3DOE Lutron Hi-lume Premier 0.1% EcoSystem (Remote)	_____
MD 18W (2229lm)	MI 18W (2229lm)	<b>Diffuser</b>	_____
HD 30W (3522lm)	HI 30W (3522lm)	SW Satin opal acrylic (bottom)	_____
48"		CB Extruded aluminum cover (bottom)	_____
LD 12W (1600lm)	LI 12W (1600lm)	SA Satin clear acrylic (top)	_____
MD 24W (2972lm)	MI 24W (2972lm)	CT Extruded aluminum cover (top)	_____
HD 40W (4696lm)	HI 40W (4696lm)	<b>Finish<sup>4</sup></b>	_____
60"		16 Clear anodized aluminum	_____
LD 15W (2000lm)	LI 15W (2000lm)	21 Painted white - RAL 9010 matte	_____
MD 30W (3715lm)	MI 30W (3715lm)	22 Painted custom color	_____
HD 50W (5870lm)	HI 50W (5870lm)	<b>Options</b>	_____
72"		AM Accent module (see page 41 for details)	_____
LD 18W (2400lm)	LI 18W (2400lm)	SC Single circuit	_____
MD 36W (4458lm)	MI 36W (4458lm)	DC Dual circuit	_____
HD 60W (7044lm)	HI 60W (7044lm)	CC Clear insulated cable (standard) <sup>5</sup>	_____
96"		WC White cable	_____
LD 24W (3200lm)	LI 24W (3200lm)	BC Black cable	_____
MD 48W (5944lm)	MI 48W (5944lm)		
HD 80W (9392lm)	HI 80W (9392lm)		

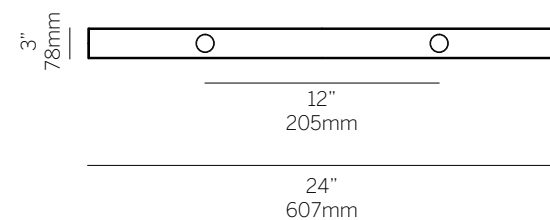
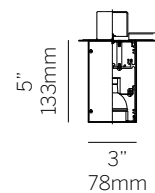
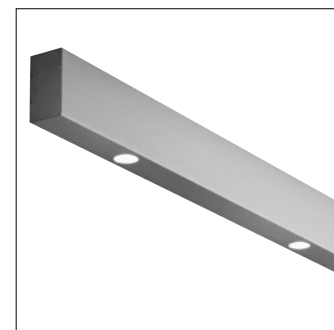
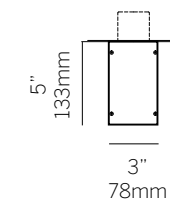
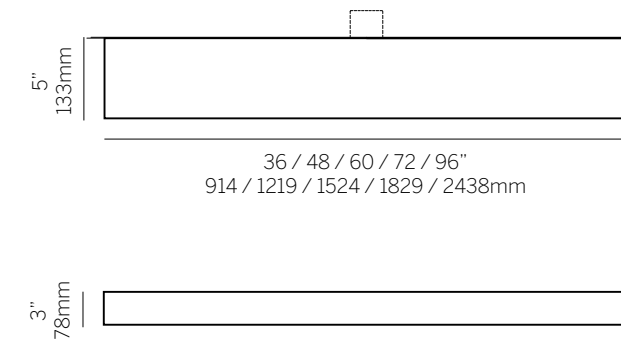
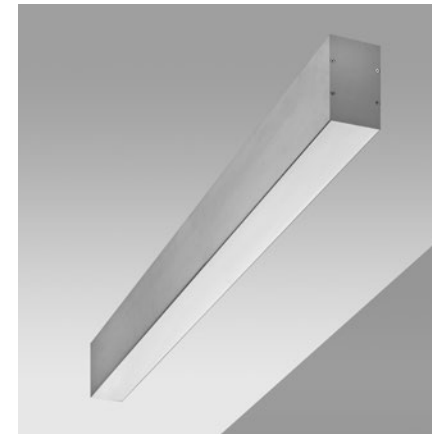
**Notes**  
<sup>1</sup>Nominal lumens  
<sup>2</sup>For no direct or indirect light specify 00  
<sup>3</sup>82 CRI standard / 90 CRI available  
<sup>4</sup>Canopy finish matches housing  
<sup>5</sup>96" clear insulated cable standard





## Clearline Ceiling

Clearline Ceiling is a clean, linear form for general illumination as well as accent lighting.



### Accent Module

### AM

#### Size<sup>1</sup>

24	24" (2 lights)
36	36" (3 lights)
48	48" (4 lights)
Custom	

#### Voltage

U	120/277
1	120VAC only

#### Control (Integral 12V)<sup>2</sup>

RS12	Hatch RS12-60M-LED
RS12277	Hatch RS12-60M-LED-277

#### Finish

16	Clear anodized aluminum
21	Painted white - RAL 9010 matte
22	Painted custom color

#### Options

CB	Extruded aluminum cover (bottom)
----	----------------------------------

#### Notes

- <sup>1</sup>12" standard spacing
- <sup>2</sup>Max 12W MR16 GU5.3 LED (by others)

### Model CL2

### CL2

#### Type

C	Ceiling
---	---------

#### Size

36	36"
48	48"
60	60"
72	72"
96	96"

#### Custom

#### Wattage<sup>1</sup>

36"	
L	9W (1200lm)
M	18W (2229lm)
H	30W (3522lm)
48"	
L	12W (1600lm)
M	24W (2972lm)
H	40W (4696lm)
60"	
L	15W (2000lm)
M	30W (3715lm)
H	50W (5870lm)
72"	
L	18W (2400lm)
M	36W (4458lm)
H	60W (7044lm)
96"	
L	24W (3200lm)
M	48W (5944lm)
H	80W (9392lm)

#### Color Temp<sup>2</sup>

827	2700
830	3000
835	3500
840	4000

#### Voltage

U	120/277
1	120VAC only

#### Control (24V)

S	Non-dim (Integral)
D010	0-10V 10% (Integral)
DFPN	Lutron Forward Phase 1% 120VAC (Integral)
L3DAE	Lutron Hi-lume 1% EcoSystem (Integral)
L3DOE	Lutron Hi-lume Premier 0.1% EcoSystem (Remote)

#### Diffuser

SW	Satin opal acrylic
----	--------------------

#### Finish

16	Clear anodized aluminum
21	Painted white - RAL 9010 matte
22	Painted custom color

#### Options

AM	Accent module
----	---------------

#### Notes

- <sup>1</sup>Nominal lumens
- <sup>2</sup>82 CRI standard / 90 CRI available
- <sup>3</sup>12" distance between accent lights standard (contact factory for other accent light spacings)



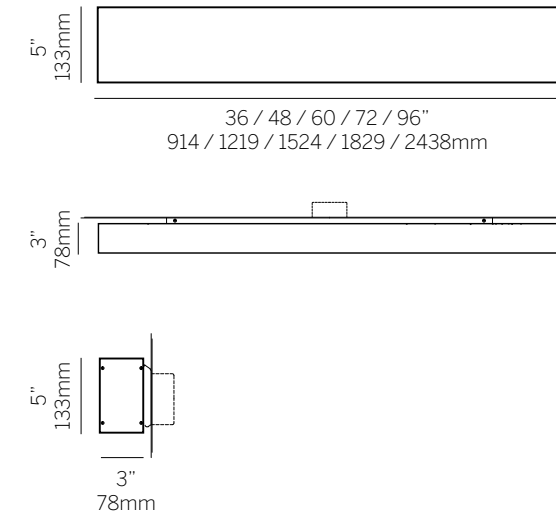
For up to date technical information, refer to [inter-lux.com/alm](http://inter-lux.com/alm)





# Clearline Wall

The Clearline Wall is a simple linear lighting option for ambient illumination in public or private spaces providing both direct and indirect lighting performance.



## Model CL2

### Type

W Wall

### Size

36 36"  
48 48"  
60 60"  
72 72"  
96 96"  
Custom

### Wattage<sup>1</sup> direct<sup>2</sup>

36"  
LD 9W (1200lm)  
MD 18W (2229lm)  
HD 30W (3522lm)

48"  
LD 12W (1600lm)  
MD 24W (2972lm)  
HD 40W (4696lm)

60"  
LD 15W (2000lm)  
MD 30W (3715lm)  
HD 50W (5870lm)

72"  
LD 18W (2400lm)  
MD 36W (4458lm)  
HD 60W (7044lm)

96"  
LD 24W (3200lm)  
MD 48W (5944lm)  
HD 80W (9392lm)

## CL2

### W

### indirect<sup>2</sup>

LI 9W (1200lm)  
MI 18W (2229lm)  
HI 30W (3522lm)

LI 12W (1600lm)  
MI 24W (2972lm)  
HI 40W (4696lm)

LI 15W (2000lm)  
MI 30W (3715lm)  
HI 50W (5870lm)

LI 18W (2400lm)  
MI 36W (4458lm)  
HI 60W (7044lm)

LI 24W (3200lm)  
MI 48W (5944lm)  
HI 80W (9392lm)

## Color Temp<sup>3</sup>

827 2700  
830 3000  
835 3500  
840 4000

## Voltage

U 120/277  
I 120VAC only

## Control (24V)

S Non-dim (Integral)  
D010 0-10V 10% (Integral)  
DFPN Lutron Forward Phase 1%  
120VAC (Integral)  
L3DAE Lutron Hi-lume 1% EcoSystem  
(Integral)  
L3DOE Lutron Hi-lume Premier 0.1%  
EcoSystem (Remote)

## Diffuser

SA Satin clear acrylic (top) **SA**  
SW Satin opal acrylic (bottom) **SW**

## Finish

16 Clear anodized aluminum  
21 Painted white - RAL 9010 matte  
22 Painted custom color

## Options

DC Dual circuit

## Notes

<sup>1</sup>Nominal lumens

<sup>2</sup>For no direct or indirect light specify 00

<sup>3</sup>82 CRI standard / 90 CRI available

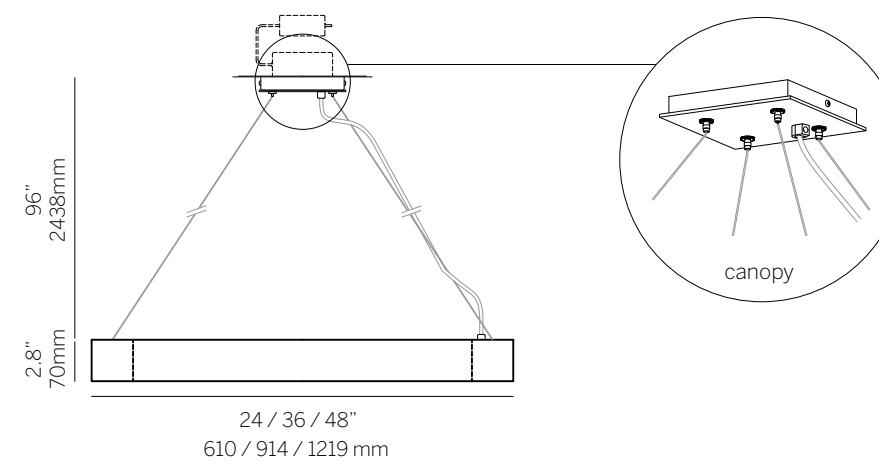
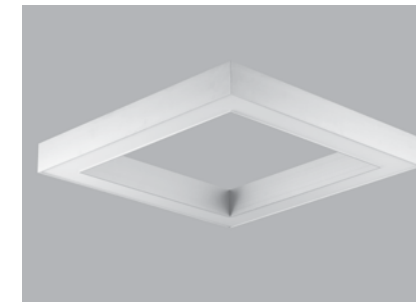
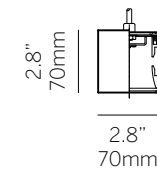




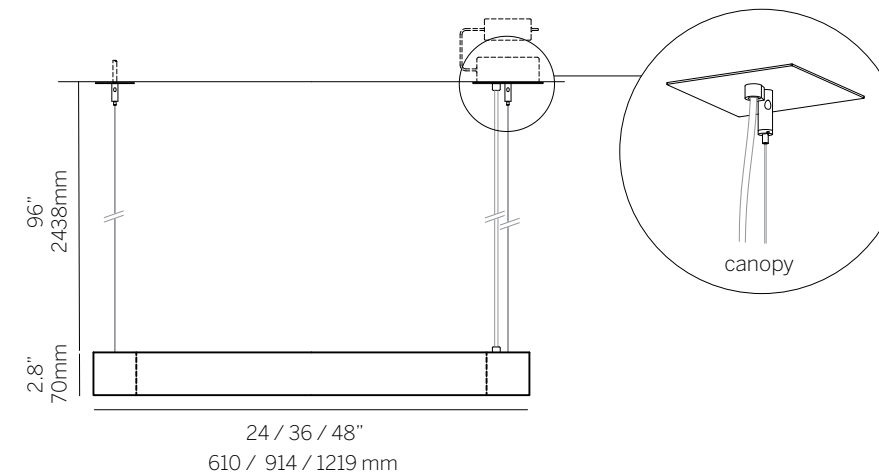


## Frame

In various sizes, direct or indirect illumination, Frame is suitable for individual workspace task lighting, conference rooms or larger spaces when used in multiple configurations. Extruded aluminum construction allows the flexibility to alter the dimensions easily and economically.



Center Canopy (standard)  
(suspension varies with fixture size please confirm with factory)



Straight Cables

### Notes

<sup>1</sup>Nominal lumens

<sup>2</sup>82 CRI standard / 90 CRI available

<sup>3</sup>Canopy finish matches housing

<sup>4</sup>96" clear insulated cable standard

For up to date technical information, refer to [inter-lux.com/alm](http://inter-lux.com/alm)

### Model 1545

1545

#### Type

P Pendant  
S Surface

#### Size

24 24"  
36 36"  
48 48"  
Custom

#### Wattage<sup>1</sup>

24"  
L 20W (2666lm)  
M 40W (4952lm)  
36"  
L 32W (4267lm)  
M 64W (7925lm)  
48"  
L 44W (5867lm)  
M 88W (10897lm)

#### Color Temp<sup>2</sup>

827 2700  
830 3000  
835 3500  
840 4000

#### Voltage

U 120/277  
I 120VAC only

#### Control (Remote 24V)

S Non-dim  
D010 0-10V 10%  
DFPN Lutron Forward Phase 1%  
120VAC  
L3DAE Lutron Hi-lume 1% EcoSystem  
L3DOE Lutron Hi-lume Premier 0.1%  
EcoSystem

#### Diffuser

SW Satin opal acrylic

SW

#### Finish<sup>3</sup>

16 Clear anodized aluminum  
21 Painted white - RAL 9010 matte  
22 Painted custom color

#### Options

CE Center canopy  
SC Straight cables  
CC Clear insulated cable (standard)<sup>4</sup>  
WC White cable  
BC Black cable

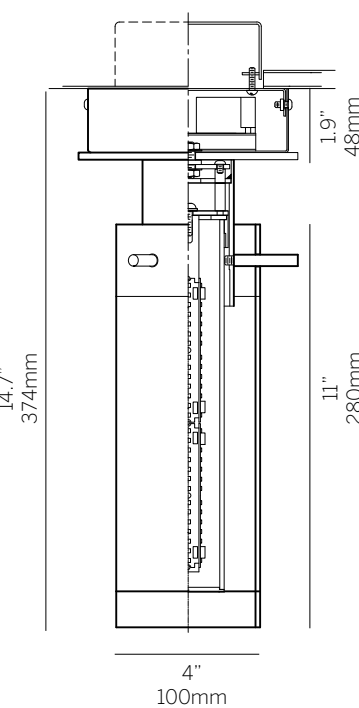
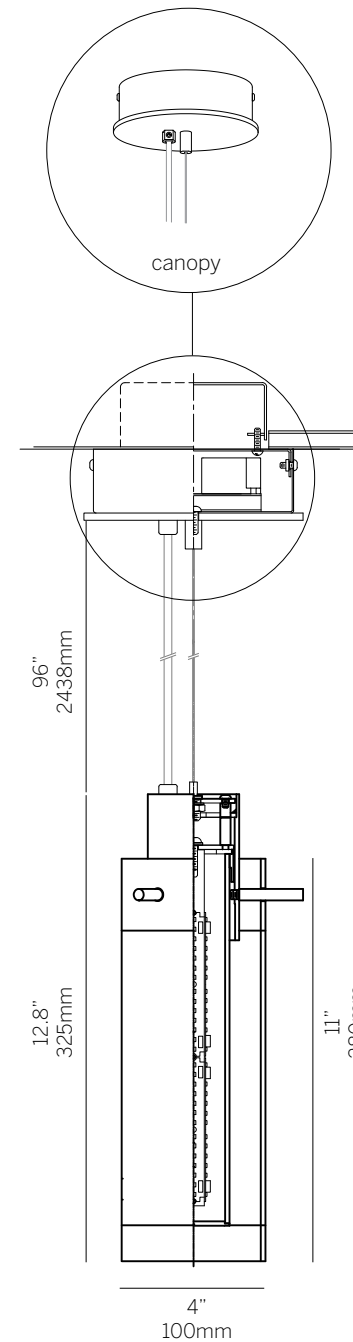






## Fuse

Fuse is used as general illumination as well as decorative feature either individually or suspended in groups. It has an even glow of light and is available fully dimmable.



### Notes

- <sup>1</sup>Nominal lumens
- <sup>2</sup>82 CRI standard / 90 CRI available
- <sup>3</sup>Canopy finish matches housing
- <sup>4</sup>96" clear insulated cable standard

**Model** 1571 1571

### Type

- P Pendant
- C Ceiling

### Size

- 11 11"
- Custom

### Wattage<sup>1</sup>

- L 8W (1066lm)

### Color Temp<sup>2</sup>

- 827 2700
- 830 3000
- 835 3500
- 840 4000

### Voltage

- U 120/277
- 1 120VAC only

### Control (24V)

- S Non-dim (Integral)
- D010 0-10V 10% (Integral)
- DFPN Lutron Forward Phase 1% 120VAC (Integral)
- L3DAE Lutron Hi-lume 1% EcoSystem (Integral)
- L3DOE Lutron Hi-lume Premier 0.1% EcoSystem (Remote)

### Diffuser

- CG Clear, etched acrylic with inner diffuser

CG

### Finish<sup>3</sup>

- 12 Satin nickel
- 19 Painted anodized aluminum - RAL 9006 matte
- 21 Painted white - RAL 9010 matte
- 22 Painted custom color

### Options

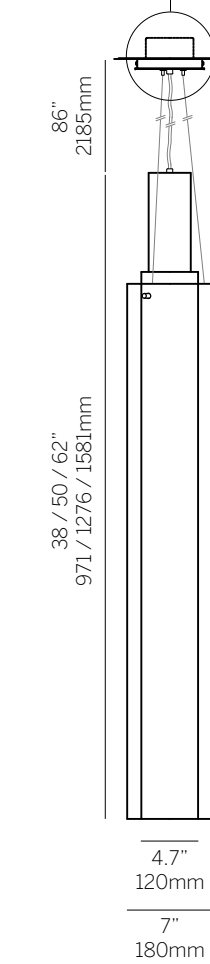
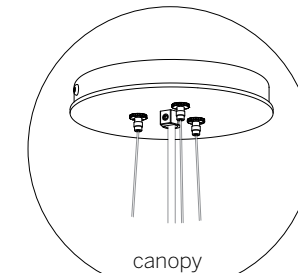
- CC Clear insulated cable (standard)<sup>4</sup>
- WC White cable
- BC Black cable



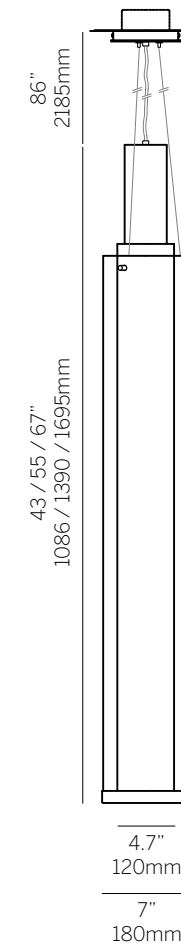


# Gran Fuse

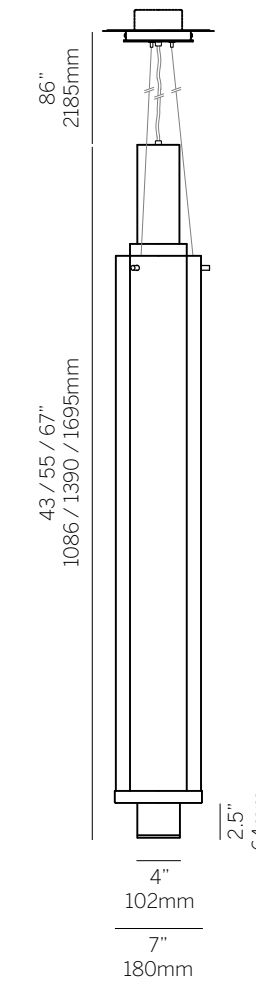
A suspended luminaire for large scale spaces, the Gran Fuse has multiple performance options and a classic form.



Standard



Flush downlight

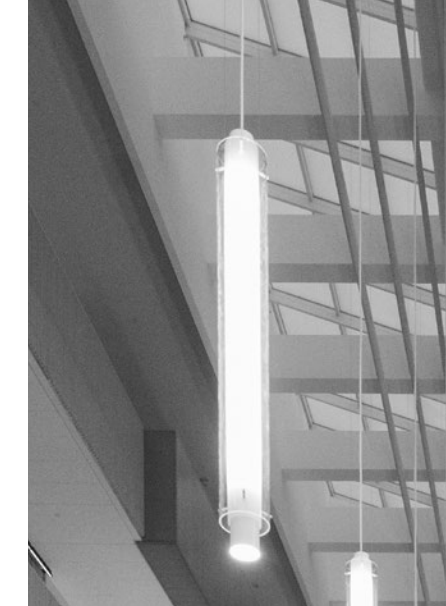


Cylinder downlight

### Notes

- <sup>1</sup>Nominal lumens
- <sup>2</sup>82 CRI standard / 90 CRI available
- <sup>3</sup>Canopy finish matches housing
- <sup>4</sup>96" clear insulated cable standard

For up to date technical information, refer to [inter-lux.com/alm](http://inter-lux.com/alm)



<b>Model 1575</b>		<b>1575</b>
<b>Type</b>		<b>P</b>
P	Pendant	
<b>Size</b>		
38	38"	
43	43"	
50	50"	
55	55"	
62	62"	
67	67"	
Custom (up to 74" standard, 79" downlight)		

<b>Wattage<sup>1</sup></b>		
General Light		
38 / 43"		
L	24W (3200lm)	
50 / 55"		
L	36W (4800lm)	
62 / 67"		
L	48W (6400lm)	
Downlight		
M	8.4W (1,311lm) @ 500 mA	
H	12.6W (1710lm) @ 700mA	

<b>Color Temp<sup>2</sup></b>		
827	2700	
830	3000	
835	3500	
840	4000	
RGB	RGB	
RGBW	RGBW	

<b>Voltage</b>		
U	120/277	
1	120VAC only	

<b>Control (General / 24V)</b>		
S	Non-dim (Integral)	
D010	0-10V 10% (Integral)	
DFPN	Lutron Forward Phase 1% 120VAC (Remote)	
L3DAE	Lutron Hi-lume 1% EcoSystem (Remote)	
L3DOE	Lutron Hi-lume Premier 0.1% EcoSystem (Remote)	

<b>Control (Downlight / Constant Current)</b>		
S	Non-dim (Integral)	
D010	0-10V 10% (Integral)	
ECO30W	EldoLED 0-10V 1% (Remote)	
DFPN	Lutron Forward Phase 1% 120VAC (Remote)	
PEQ1	Lutron Hi-lume 1% EcoSystem (Integral)	
PEQ0	Lutron Hi-lume Premier 0.1% EcoSystem (Integral)	

<b>Diffuser</b>		
AA	Clear acrylic	<b>AA</b>
SW	Satin opal acrylic	<b>SW</b>

<b>Finish<sup>3</sup></b>		
12	Satin nickel	
19	Painted anodized aluminum - RAL 9006 Matte	
21	Painted white - RAL 9010 matte	
22	Painted custom color	

<b>Options</b>		
D	Flush downlight	
CL	Extended cylinder light	
CC	Clear insulated cable (standard) <sup>4</sup>	
WC	White cable	
BC	Black cable	

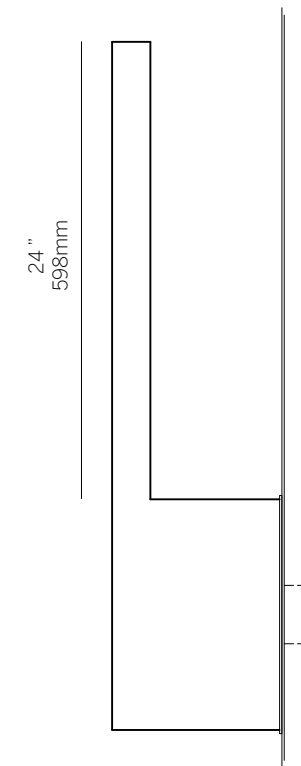
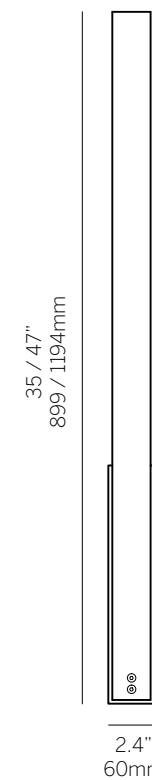
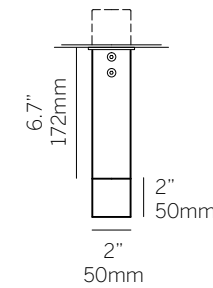






# Nordik

Classic wall bracket available in multiple sizes provides glare-free general and accent illumination to any space. Available indoor and outdoor, in multiple finishes.



### Notes

- <sup>1</sup>Suitable for wet location
- <sup>2</sup>Nominal lumens
- <sup>3</sup>82 CRI standard / 90 CRI available

For up to date technical information, refer to [inter-lux.com/alm](http://inter-lux.com/alm)

**Model 2549<sup>1</sup>** **2549**

**Type**  
W Wall **W**

**Size**  
35 35"  
47 47"  
Custom

**Wattage<sup>2</sup>**  
35"  
L 6W (800lm)  
M 12W (1486lm)  
H 20W (2348lm)  
47"  
L 9W (1200lm)  
M 18W (2229lm)  
H 30W (3522lm)

**Color Temp<sup>3</sup>**  
827 2700  
830 3000  
835 3500  
840 4000

**Voltage**  
U 120/277  
I 120VAC only

**Control (24V)**  
S Non-dim (Integral)  
D010 0-10V 10% (Integral)  
DFPN Lutron Forward Phase 1% 120VAC (Integral)  
L3DAE Lutron Hi-lume 1% EcoSystem (Integral)  
L3DOE Lutron Hi-lume Premier 0.1% EcoSystem (Remote)

**Diffuser**  
SW Satin opal acrylic **SW**

**Finish**  
19 Painted anodized aluminum - RAL 9006 Matte  
21 Painted white - RAL 9010 matte  
26 Painted black - RAL 9005 matte  
22 Painted custom color

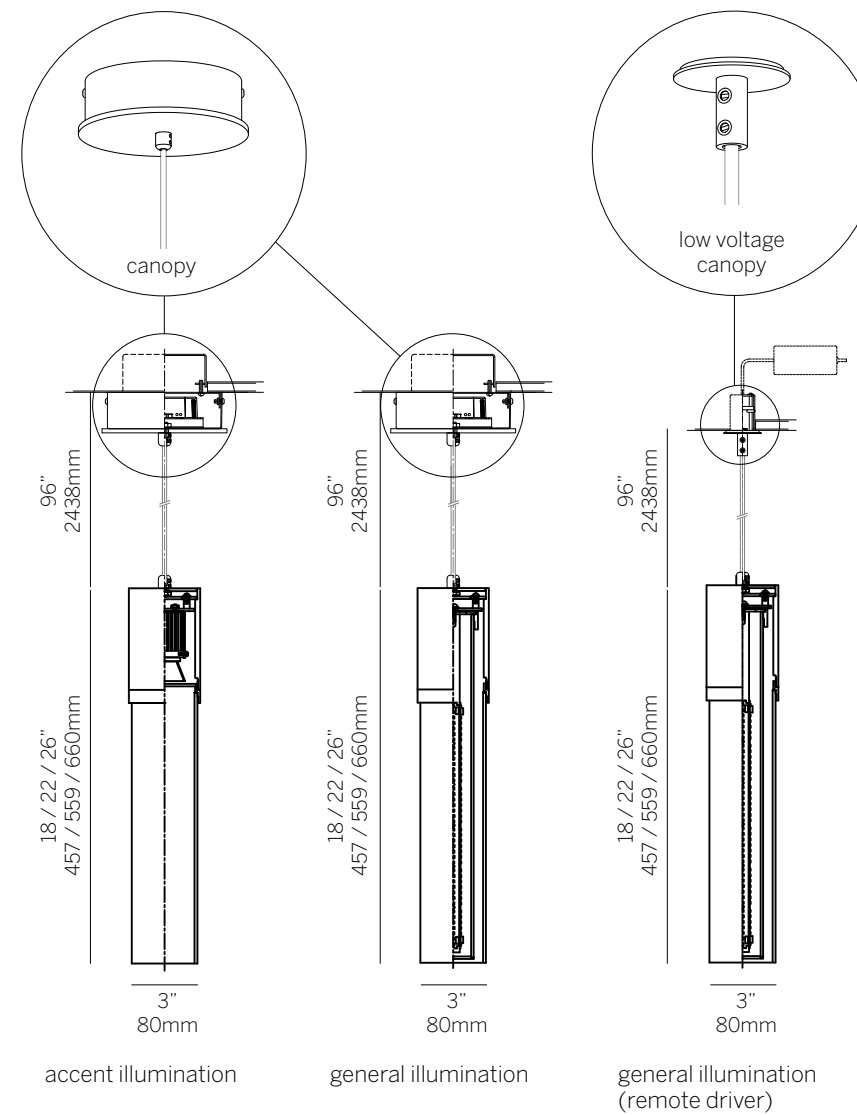
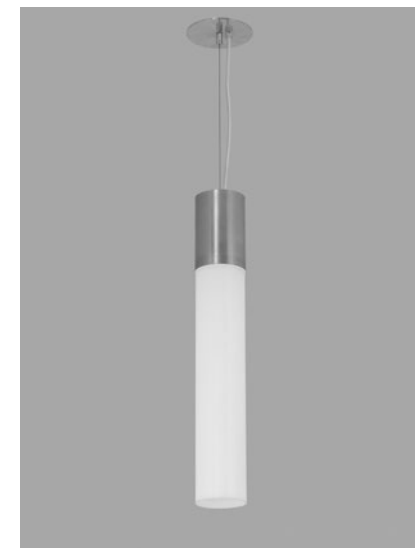






# Plume

White opal diffuser in combination with natural metal finishes offers uniform contemporary design and a distinctive look. With two very different lighting performance options, Plume can be used for accent over a work surface, or general space illumination.



<b>Model 1560</b>		<b>1560</b>
<b>Type</b>		<b>P</b>
P	Pendant	
<b>Size</b>		
18	18"	
22	22"	
26	26"	
Custom		
<b>Wattage<sup>1</sup></b>		
<i>Accent Illumination</i>		
18" / 22" / 26"		
M	8.4W (1311lm) @ 500mA	
H	12.6W (1710lm) @ 700mA	
<i>General Illumination</i>		
18"		
L	12W (1600lm)	
22"		
L	16W (2133lm)	
26"		
L	20W (2666lm)	
<b>Color Temp<sup>2</sup></b>		
827	2700	
830	3000	
835	3500	
840	4000	
<b>Voltage</b>		
U	120/277	
I	120VAC only	
<b>Control (Accent / Constant Current)</b>		
S	Non-dim (Integral)	
D010	0-10V 10% (Integral)	
ECO30W	EldoLED 0-10V 1% (Remote)	
DFPN	Lutron Forward Phase 1% 120VAC (Integral)	
PEQ1	Lutron Hi-lume 1% EcoSystem (Integral)	
PEQ0	Lutron Hi-lume Premier 0.1% EcoSystem (Integral)	
<b>Control (General / 24V)</b>		
S	Non-dim (Integral)	
D010	0-10V 10% (Integral)	
DFPN	Lutron Forward Phase 1% 120VAC (Integral)	
L3DAE	Lutron Hi-lume 1% EcoSystem (Integral)	
L3DOE	Lutron Hi-lume Premier 0.1% EcoSystem (Remote)	
<b>Diffuser</b>		
WA	White opal acrylic	
WG	White opal glass	
<b>Finish<sup>3</sup></b>		
10	Satin stainless steel	
12	Satin nickel	
21	Painted white - RAL 9010 matte	
22	Painted custom color	
<b>Options</b>		
CC	Clear insulated cable (standard) <sup>4</sup>	
WC	White cable	
BC	Black cable	

**Notes**

- <sup>1</sup>Nominal lumens
- <sup>2</sup>82 CRI standard / 90 CRI available
- <sup>3</sup>Canopy finish matches housing
- <sup>4</sup>96" clear insulated cable standard



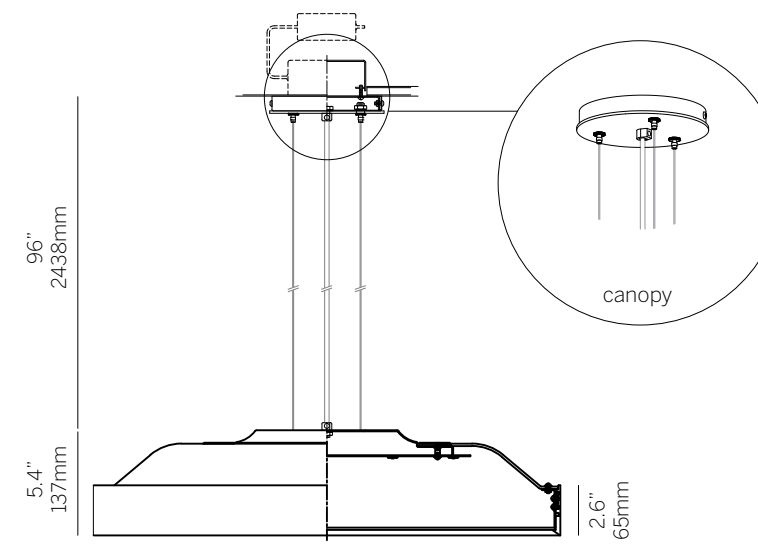
For up to date technical information, refer to [inter-lux.com/alm](http://inter-lux.com/alm)



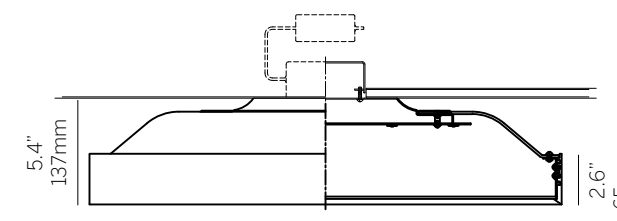


# Puck

Suspended and ceiling mount with 80%:20% direct/indirect light in multiple sizes and lumen packages for large or small space illumination.



Pendant



Ceiling

**Model 1500** **1500**

**Type**  
P Pendant  
C Ceiling

**Size**  
24 24" Ø  
28 28" Ø

**Wattage<sup>1</sup>**  
24"  
L 17W (2220lm)  
M 33W (4087lm)  
28"  
L 29W (3800lm)  
M 57W (7059lm)

**Color Temp<sup>2</sup>**  
827 2700  
830 3000  
835 3500  
840 4000

**Voltage**  
U 120/277  
1 120VAC only

**Control (Remote 24V)**  
S Non-dim  
D010 0-10V 10%  
DFPN Lutron Forward Phase 1% 120VAC  
L3DAE Lutron Hi-lume 1% EcoSystem  
L3DOE Lutron Hi-lume Premier 0.1% EcoSystem

**Diffuser**  
SW Satin opal acrylic **SW**

**Finish<sup>3</sup>**  
19 Painted anodized aluminum - RAL 9006 matte  
21 Painted white - RAL 9010 matte  
26 Painted black - RAL 9005 matte  
22 Painted custom color

**Options**  
CC Clear insulated cable (standard)<sup>4</sup>  
WC White cable  
BC Black cable

**Notes**

- <sup>1</sup>Nominal lumens
- <sup>2</sup>82 CRI standard / 90 CRI available
- <sup>3</sup>Canopy finish matches housing
- <sup>4</sup>96" clear insulated cable standard



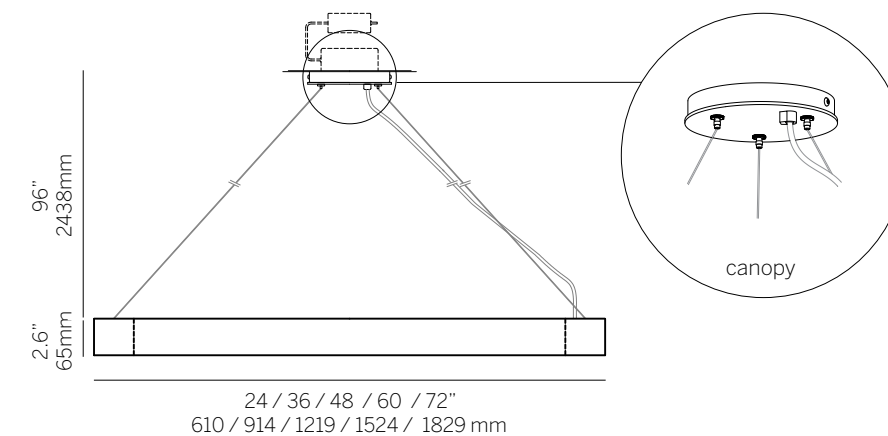
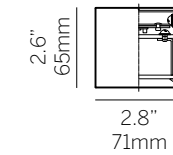
For up to date technical information, refer to [inter-lux.com/alm](http://inter-lux.com/alm)



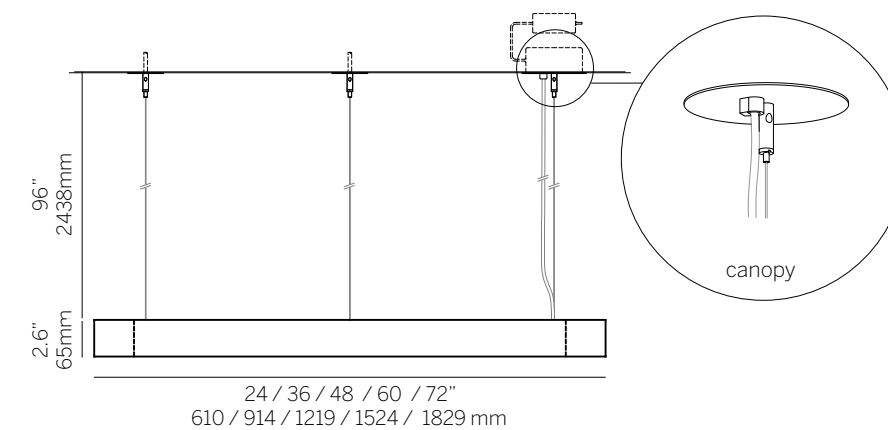


# Ring D

Simple Ring D with direct illumination in various diameters and lumen packages can be used in a wide variety of applications. Consider modifying the Ring, or adding other standard or custom products to meet special requirements.



Center Canopy (standard)  
(suspension varies with fixture size please confirm with factory)



Straight Cables



**Model 1691** **1691**

**Type**  
P Pendant **P**

**Size**  
24 24"  
36 36"  
48 48"  
60 60"  
72 72"  
Custom

**Wattage<sup>1</sup>**  
24"  
L 17W (2267lm)  
M 34W (4211lm)  
RGB 60W (1551lm)  
36"  
L 26W (3467lm)  
M 52W (6440lm)  
RGB 92W (2397lm)  
48"  
L 35W (4667lm)  
M 70W (8669lm)  
RGB 125W (3243lm)  
60"  
L 45W (6000lm)  
M 90W (11145lm)  
RGB 162W (4230lm)  
72"  
L 54W (7200lm)  
M 108W (13374lm)  
RGB 195W (5076lm)

**Color Temp<sup>2</sup>**  
827 2700  
830 3000  
835 3500  
840 4000  
RGB RGB

**Voltage**  
U 120/277  
1 120VAC only

**Control (Remote 24V)**  
S Non-dim  
D010 0-10V 10%  
DFPN Lutron Forward Phase 1% 120VAC  
L3DAE Lutron Hi-lume 1% EcoSystem  
L3D0E Lutron Hi-lume Premier 0.1% EcoSystem  
DMX DMX dimming

**Diffuser**  
SW Satin opal acrylic **SW**

**Finish<sup>3</sup>**  
19 Painted anodized aluminum - RAL 9006 matte  
21 Painted white - RAL 9010 matte  
26 Painted black - RAL 9005 matte  
22 Painted custom color

**Options**  
CE Center canopy  
SC Straight cables  
CC Clear insulated cable (standard)<sup>4</sup>  
WC White cable  
BC Black cable

**Notes**

- <sup>1</sup>Nominal lumens
- <sup>2</sup>82 CRI standard / 90 CRI available
- <sup>3</sup>Canopy finish matches housing
- <sup>4</sup>96" clear insulated cable standard



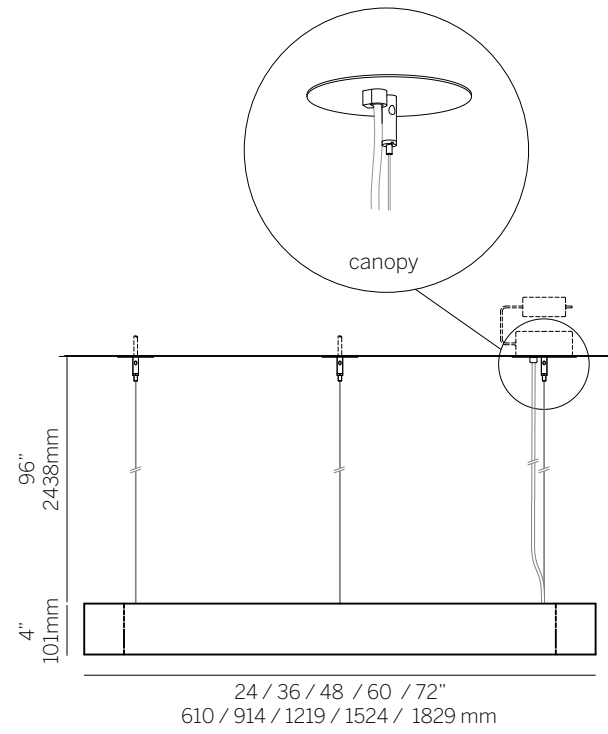
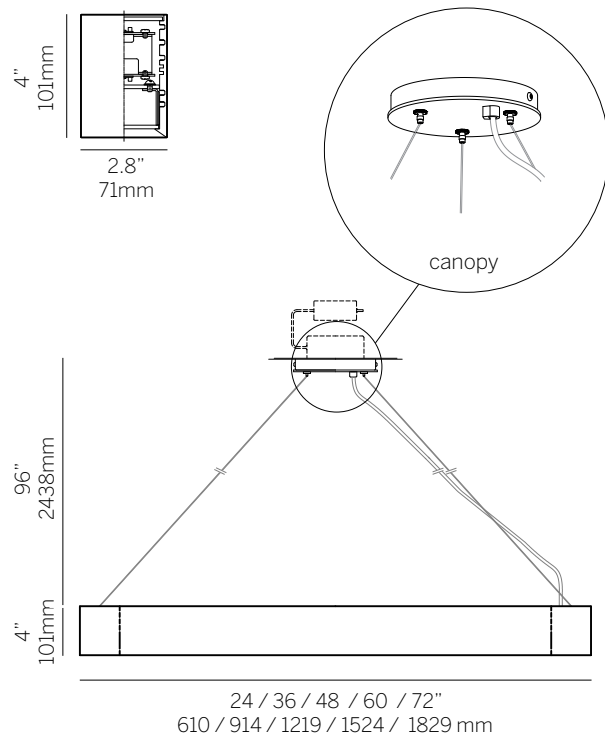
For up to date technical information, refer to [inter-lux.com/alm](http://inter-lux.com/alm)





## Ring UD

A Direct/Indirect luminaire, the Ring UD will fill any space with light and create a voluminous effect. Offered in a wide variety of standard diameters and lumen packages, the Ring is available for as much modification as your imagination will allow, including RGB, ovals and squares.



Center Canopy (standard)  
(suspension varies with fixture size please confirm with factory)

Straight Cables

Model 1692	1692		
Type	P		
P	Pendant		
Size	_____		
24	24"		
36	36"		
48	48"		
60	60"		
72	72"		
Custom	_____		
Wattage <sup>1</sup>	_____   _____		
direct <sup>2</sup>	indirect <sup>2</sup>		
24"			
LD	17W (2267lm)	LI	17W (2267lm)
MD	34W (4211lm)	MI	34W (4211lm)
RGBD	60W (1551lm)	RGBI	60W (1551lm)
36"			
LD	26W (3467lm)	LI	26W (3467lm)
MD	52W (6440lm)	MI	52W (6440lm)
RGBD	92W (2397lm)	RGBI	92W (2397lm)
48"			
LD	35W (4667lm)	LI	35W (4667lm)
MD	70W (8669lm)	MI	70W (8669lm)
RGBD	125W (3243lm)	RGBI	125W (3243lm)
60"			
LD	45W (6000lm)	LI	45W (6000lm)
MD	90W (11145lm)	MI	90W (11145lm)
RGBD	162W (4230lm)	RGBI	162W (4230lm)
72"			
LD	54W (7200lm)	LI	54W (7200lm)
MD	108W (13374lm)	MI	108W (13374lm)
RGBD	195W (5076lm)	RGBI	195W (5076lm)

Color Temp <sup>3</sup>	_____
827	2700
830	3000
835	3500
840	4000
RGB	RGB

Voltage	_____
U	120/277
1	120VAC only

Control (Remote 24V)	_____
S	Non-dim
D010	0-10V 10%
DFPN	Lutron Forward Phase 1% 120VAC
L3DAE	Lutron Hi-lume 1% EcoSystem
L3DOE	Lutron Hi-lume Premier 0.1% EcoSystem
DMX	DMX dimming

Diffuser	_____
SW	Satin opal acrylic (bottom)
CB	Extruded aluminum cover (bottom)
SA	Satin clear acrylic (top)
CT	Extruded aluminum cover (top)

Finish <sup>4</sup>	_____
19	Painted anodized aluminum - RAL 9006 matte
21	Painted white - RAL 9010 matte
26	Painted black - RAL 9005 matte
22	Painted custom color

Options	_____
CE	Center canopy
SC	Straight cables
SA	Single circuit
DC	Dual circuit
CC	Clear insulated cable (standard) <sup>5</sup>
WC	White cable
BC	Black cable

### Notes

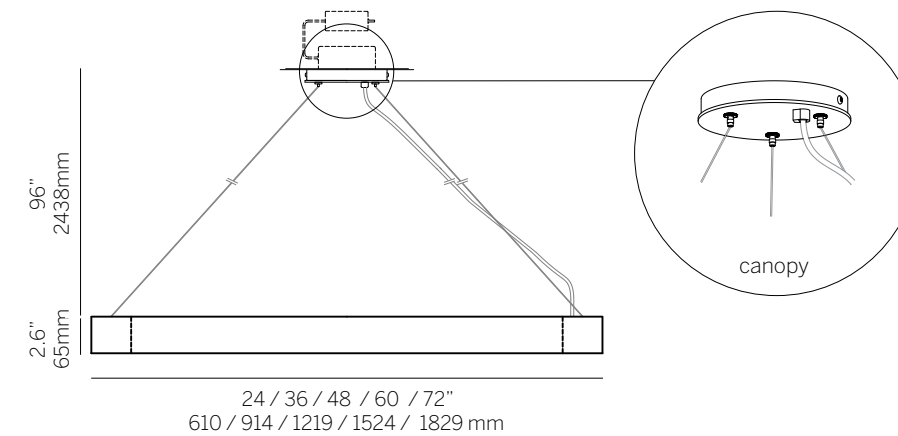
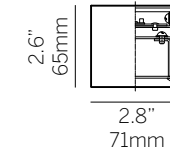
- <sup>1</sup>Nominal lumens
- <sup>2</sup>For no direct or indirect light specify 00
- <sup>3</sup>82 CRI standard / 90 CRI available
- <sup>4</sup>Canopy finish matches housing
- <sup>5</sup>96" clear insulated cable standard



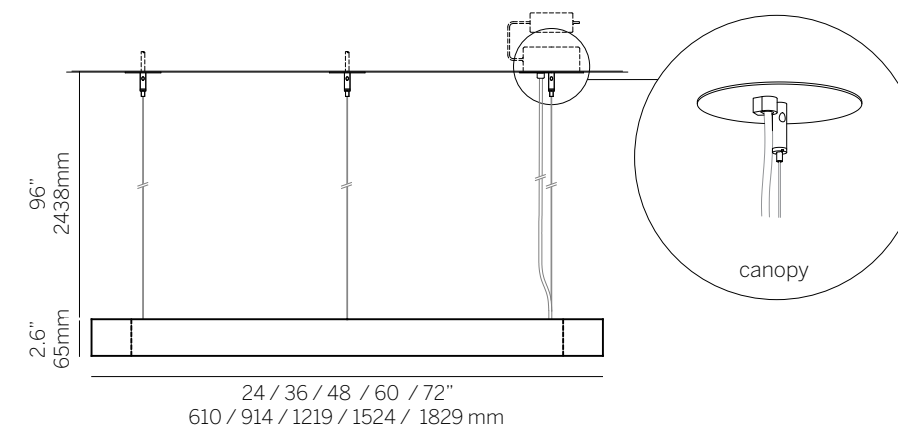


# Ring U

The Ring U is for uplight only - where the requirement is to provide glare-free light that fills the space. Consider the many standard and custom modifications that can be used to make this a unique solution.



Center Canopy (standard)  
(suspension varies with fixture size please confirm with factory)



Straight Cables

### Notes

- <sup>1</sup>Nominal lumens
- <sup>2</sup>82 CRI standard / 90 CRI available
- <sup>3</sup>Canopy finish matches housing
- <sup>4</sup>96" clear insulated cable standard

**Model 1693**

**1693**

### Type

P Pendant

P

### Size

- 24 24"
- 36 36"
- 48 48"
- 60 60"
- 72 72"

CustX

### Wattage<sup>1</sup>

- 24"
  - L 17W (2267lm)
  - M 34W (4211lm)
  - RGB 60W (1551lm)
- 36"
  - L 26W (3467lm)
  - M 52W (6440lm)
  - RGB 92W (2397lm)
- 48"
  - L 35W (4667lm)
  - M 70W (8669lm)
  - RGB 125W (3243lm)
- 60"
  - L 45W (6000lm)
  - M 90W (11145lm)
  - RGB 162W (4230lm)
- 72"
  - L 54W (7200lm)
  - M 108W (13374lm)
  - RGB 195W (5076lm)

### Color Temp<sup>2</sup>

- 827 2700
- 830 3000
- 835 3500
- 840 4000
- RGB RGB

### Voltage

- U 120/277
- 1 120VAC only

### Control (Remote 24V)

- S Non-dim
- D010 0-10V 10%
- DFFN Lutron Forward Phase 1% 120VAC
- L3DAE Lutron Hi-lume 1% EcoSystem
- L3DOE Lutron Hi-lume Premier 0.1% EcoSystem
- DMX DMX dimming

### Diffuser

- SA Satin clear acrylic

SA

### Finish<sup>3</sup>

- 19 Painted anodized aluminum - RAL 9006 matte
- 21 Painted white - RAL 9010 matte
- 26 Painted black - RAL 9005 matte
- 22 Painted custom color

### Options

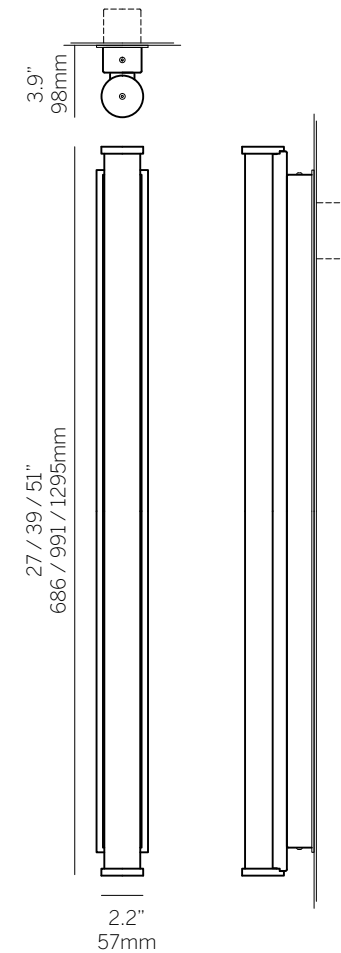
- CE Center canopy
- SC Straight cables
- CC Clear insulated cable (standard)<sup>4</sup>
- WC White cable
- BC Black cable





# Sigma

Wall sconce with formed aluminum housing and machined end caps. Diffuser is Clear Satin Acrylic. The fixture can be arranged vertically or horizontally.



<b>Model 1740</b>		<b>1740</b>
<b>Type</b>		<b>W</b>
W	Wall	
<b>Size</b>		
27	27"	
39	39"	
51	51"	
Custom		
<b>Wattage<sup>1</sup></b>		
27"		
L	6W (800lm)	
M	12W (1486lm)	
H	20W (2348lm)	
39"		
L	9W (1200lm)	
M	18W (2229lm)	
H	30W (3522lm)	
51"		
L	12W (1600lm)	
M	24W (2972lm)	
H	40W (4696lm)	
<b>Wet location</b>		
27"		
M	10W (750lm)	
39"		
M	14W (1125lm)	
51"		
M	19W (1500lm)	
<b>Color Temp<sup>2</sup></b>		
827	2700	
830	3000	
835	3500	
840	4000	
<b>Voltage</b>		
U	120/277	
1	120VAC only	
<b>Control (24V)<sup>3</sup></b>		
S	Non-dim (Integral)	
D010	0-10V 10% (Integral)	
DFPN	Lutron Forward Phase 1% 120VAC (Integral)	
L3DAE	Lutron Hi-lume 1% EcoSystem (Integral)	
L3DOE	Lutron Hi-lume Premier 0.1% EcoSystem (Remote)	
<b>Diffuser</b>		<b>SA</b>
SA	Satin clear acrylic	
<b>Finish<sup>3</sup></b>		
19	Painted anodized aluminum - RAL 9006 matte	
21	Painted white - RAL 9010 matte	
22	Painted custom color	
<b>Options</b>		
EC	Chrome end caps	
WL	Wet location	

**Notes**

- <sup>1</sup>Nominal lumens
- <sup>2</sup>82 CRI standard / 90 CRI available
- <sup>3</sup>For wet location all controls are remote

For up to date technical information, refer to [inter-lux.com/alm](http://inter-lux.com/alm)

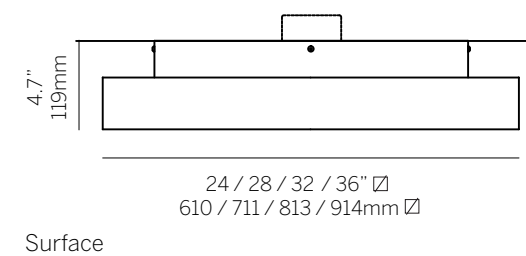
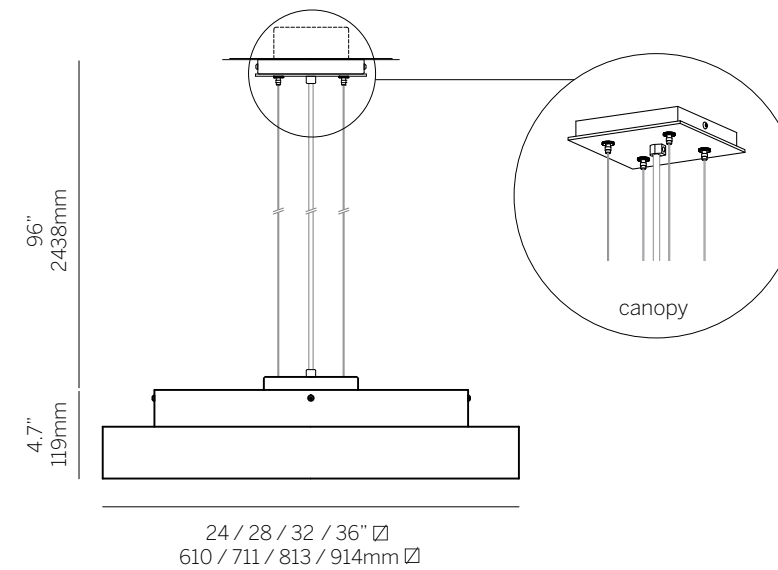
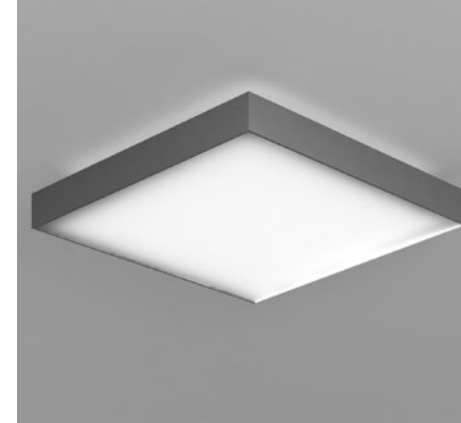






## Step

Shallow, square pendant or surface mounted versions in various sizes, with 10% uplight. Even illumination on the satin white lens. Also available in ceiling mount version.



**Model 1540** **1540**

### Type

P Pendant  
S Surface

### Size

24 24" ☐  
28 28" ☐  
32 32" ☐  
36 36" ☐

Custom

### Wattage<sup>1</sup>

24"  
L 28W (3733lm)  
28"  
L 40W (5333lm)  
32"  
L 54W (7200lm)  
36"  
L 77W (10267lm)

### Color Temp<sup>2</sup>

827 2700  
830 3000  
835 3500  
840 4000

### Voltage

U 120/277  
1 120VAC only

### Control (24V)

S Non-dim (Integral)  
D010 0-10V 10% (Integral)  
DFPN Lutron Forward Phase 1%  
120VAC (Integral)  
L3DAE Lutron Hi-lume 1% EcoSystem  
(Integral)  
L3DOE Lutron Hi-lume Premier 0.1%  
EcoSystem (Remote)

### Diffuser

SW Satin opal acrylic (bottom)  
XX Clear polycarbonate -  
sanded both sides (top)

### Finish<sup>3</sup>

16 Clear anodized aluminum  
21 Painted white - RAL 9010 matte  
22 Painted custom color

### Options

CC Clear insulated cable (standard)<sup>4</sup> \_\_\_\_\_  
WC White cable  
BC Black cable

### Notes

- <sup>1</sup>Nominal lumens
- <sup>2</sup>82 CRI standard / 90 CRI available
- <sup>3</sup>Canopy finish matches housing
- <sup>4</sup>96" clear insulated cable standard



For up to date technical information, refer to [inter-lux.com/alm](http://inter-lux.com/alm)



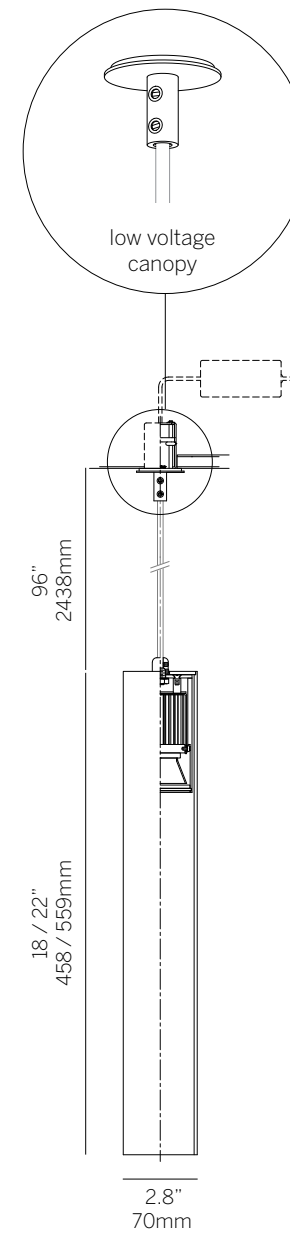




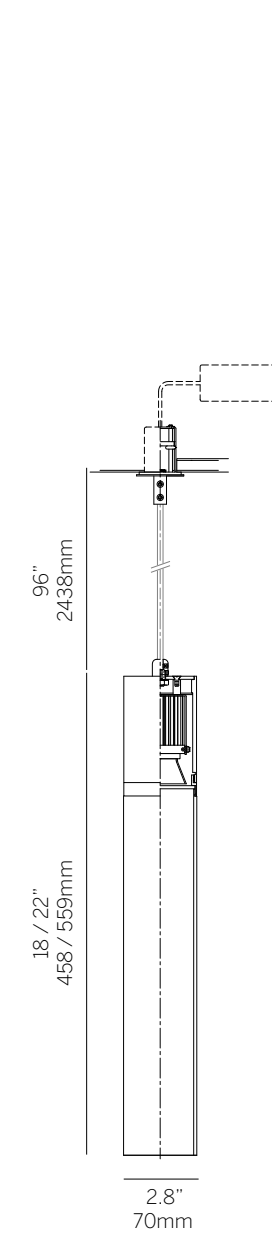


## Stick

At just under 3" diameter, Stick appears like a flying candle. When used individually, or in groupings with a custom canopy or attached to ARC, Stick provides functional illumination in the space.



AT



MT

### Notes

<sup>1</sup>Nominal lumens <sup>2</sup>82 CRI standard / 90 CRI available

<sup>3</sup>Canopy finish matches housing

<sup>4</sup>AT fixture and canopy white standard, other colors optional on canopy

<sup>5</sup>96" clear insulated cable standard

### Model 1592

AT Acrylic top  
MT Metal top

**Type**  
P Pendant **P**

**Size**  
18 18"  
22 22"  
Custom

**Wattage<sup>1</sup>**  
M 8.4W (1,311 lm) @ 500 mA  
H 12.6W (1710lm) @ 700mA

**Color Temp<sup>2</sup>**  
827 2700  
830 3000  
835 3500  
840 4000

**Voltage**  
U 120/277  
1 120VAC only

**Control (Constant Current, Remote)**  
S Non-dim  
D010 0-10V 10%  
ECO30W EldoLED 0-10V 1%  
DFPN Lutron Forward Phase 1% 120VAC  
PEQ1 Lutron Hi-lume 1% EcoSystem  
PEQ0 Lutron Hi-lume Premier 0.1% EcoSystem

**Diffuser**  
SA Satin clear acrylic **SA**

**Finish<sup>3,4</sup>**  
21 Painted white - RAL 9010 matte  
29 Anodized aluminum - titan  
22 Painted custom color

**Options**  
CC Clear insulated cable (standard)<sup>4</sup>  
WC White cable  
BC Black cable



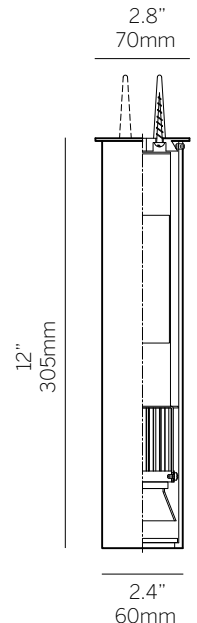
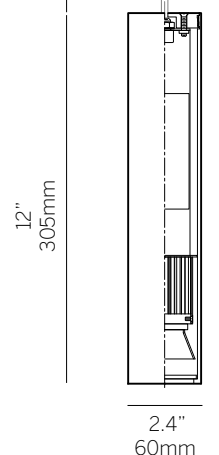
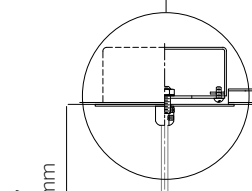
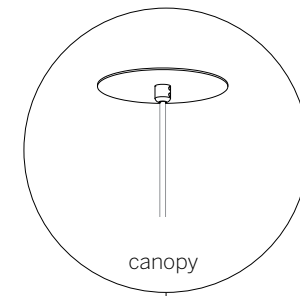
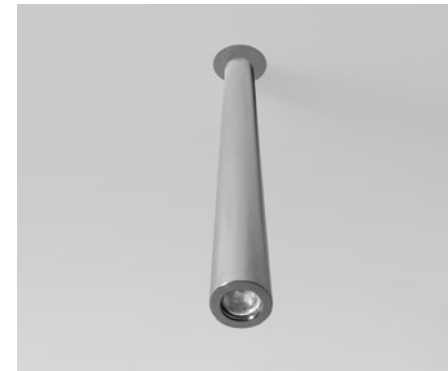
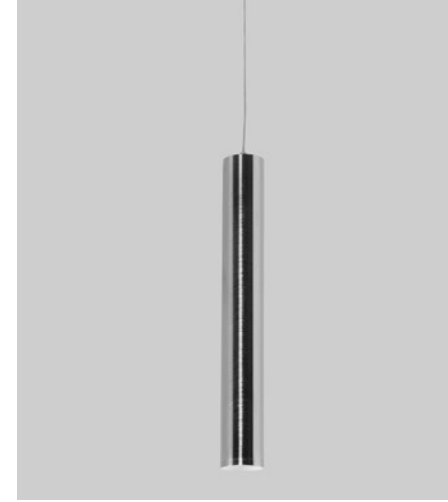
For up to date technical information, refer to [inter-lux.com/alm](http://inter-lux.com/alm)



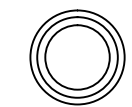


# Stick M

At just under 3" diameter, the all metal Stick M is used individually or in groupings with a custom canopy or attached to ARC. Stick provides functional illumination in the space.



Surface



Pendant

<b>Model 1593</b>	<b>1593</b>
<b>Type</b>	
C	Ceiling
P	Pendant
<b>Size</b>	
12	12"
Custom	
<b>Wattage<sup>1</sup></b>	
M	8.4W (1,311 lm) @ 500 mA
H	12.6W (1,710lm) @ 700mA
<b>Color Temp<sup>2</sup></b>	
827	2700
830	3000
835	3500
840	4000
<b>Voltage</b>	
U	120/277
I	120VAC only
<b>Control (Constant Current)</b>	
S	Non-dim (integral)
D010	0-10V 10% (integral)
ECO30W	EldoLED 0-10V 1% (Remote)
DFPN	Lutron Forward Phase 1% 120VAC (Remote)
PEQ1	Lutron Hi-lume 1% EcoSystem (integral)
PEQ0	Lutron Hi-lume Premier 0.1% EcoSystem (integral)
<b>Finish<sup>3</sup></b>	
18	Polished aluminum
<b>Options</b>	
CC	Clear insulated cable (standard) <sup>4</sup>
WC	White cable
BC	Black cable

18

**Notes**  
<sup>1</sup>Nominal lumens  
<sup>2</sup>82 CRI standard / 90 CRI available  
<sup>3</sup>Canopy finish matches housing  
<sup>4</sup>96" clear insulated cable standard



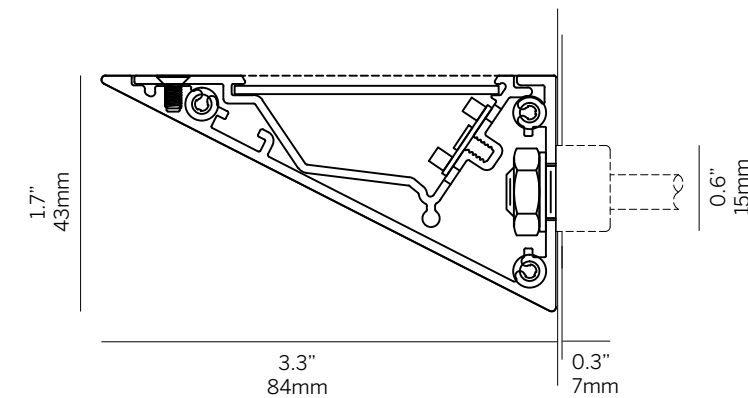
For up to date technical information, refer to [inter-lux.com/alm](http://inter-lux.com/alm)





# Wedge

Wedge is an ultra-small scale linear product that delivers low angle, smooth patterned light to an adjacent surface. Perfect for wall mounted uplight, the Wedge delivers light evenly to the ceiling, in a forward distribution that is nearly horizontal to the top of the fixture. As a ceiling mounted wallwash, the Wedge can be mounted close to the wall and deliver an even wash of light. Use as individual luminaires, or in continuous row mounting, the Wedge can be specified to absolutely any length.



**Model 2537** **2537**

**Type**  
W Wall **W**

**Size**  
Please specify length

**Wattage<sup>1</sup>**

L	3 W/ft (400 lm/ft)	_____
M	6 W/ft (743 lm/ft)	_____
H	10 W/ft (1174 lm/ft)	_____

**Color Temp<sup>2</sup>**

827	2700	_____
830	3000	_____
835	3500	_____
840	4000	_____

**Voltage**

U	120/277	_____
1	120VAC only	_____

**Control (Remote 24V)**

S	Non-dim	_____
D010	0-10V 10%	_____
DFPN	Lutron Forward Phase 1% 120VAC	_____
L3DAE	Lutron Hi-lume 1% EcoSystem	_____
L3D0E	Lutron Hi-lume Premier 0.1% EcoSystem	_____

**Diffuser**  
SA Satin clear acrylic **SA**

**Finish**

19	Painted anodized aluminum - RAL 9006 matte	_____
21	Painted white - RAL 9010 matte	_____
26	Painted black - RAL 9005 matte	_____
22	Painted custom color	_____

**Options**  
WL Wet location \_\_\_\_\_

**Notes**

<sup>1</sup>Nominal lumens  
<sup>2</sup>82 CRI standard / 90 CRI available



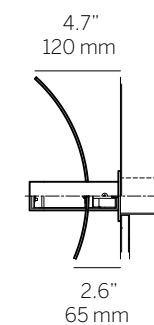
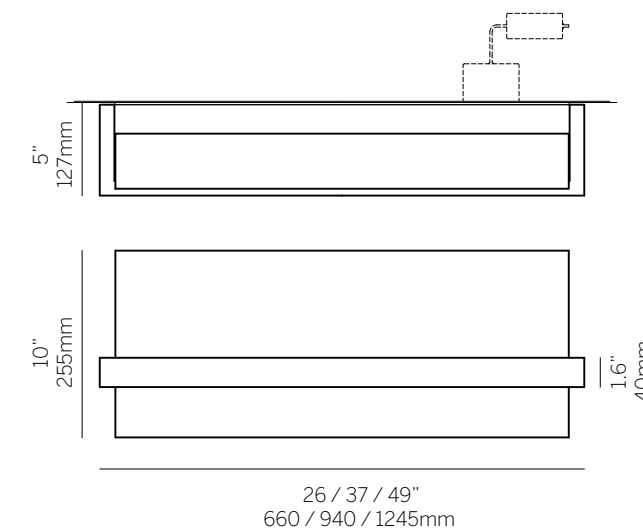
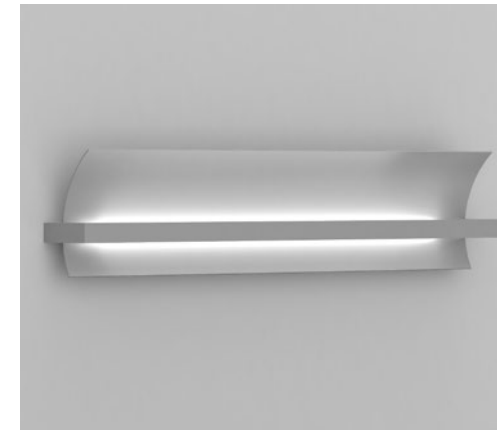
For up to date technical information, refer to [inter-lux.com/alm](http://inter-lux.com/alm)





# Wing

Wing provides glare-free indirect illumination when mounted horizontally. It is perfect for stairways and corridors with open ceilings.



<b>Model 1820</b>		<b>1820</b>
<b>Type</b>		<b>W</b>
W	Wall	
<b>Size</b>		
26	26"	
37	37"	
49	49"	
Custom		
<b>Wattage<sup>1</sup></b>		
26"		
L	6W (800lm)	
M	12W (1486lm)	
H	20W (2348lm)	
37"		
L	9W (1133lm)	
M	17W (2106lm)	
H	28W (3326lm)	
49"		
L	12W (1533lm)	
M	23W (2848lm)	
H	38W (4500lm)	
<b>Color Temp<sup>2</sup></b>		
827	2700	
830	3000	
835	3500	
840	4000	
<b>Voltage</b>		
U	120/277	
I	120VAC only	
<b>Control (Remote 24V)</b>		
S	Non-dim	
D010	0-10V 10%	
DFPN	Lutron Forward Phase 1% 120VAC	
L3DAE	Lutron Hi-lume 1% EcoSystem	
L3DOE	Lutron Hi-lume Premier 0.1% EcoSystem	
<b>Diffuser</b>		<b>SW</b>
SW	Satin opal acrylic	
<b>Finish<sup>3</sup></b>		
19	Painted anodized aluminum - RAL 9006 matte	
21	Painted white - RAL 9010 matte	
22	Painted custom color	

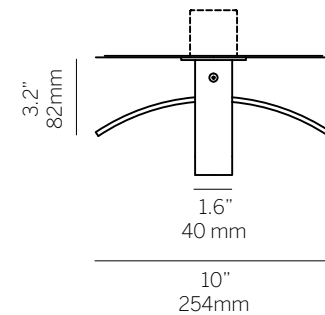
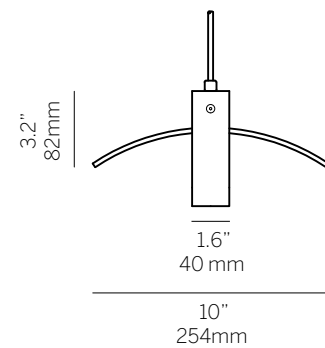
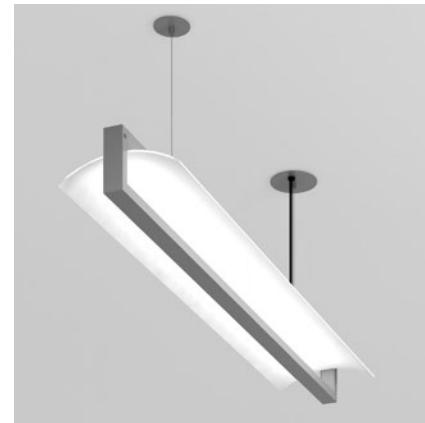
**Notes**

- <sup>1</sup>Nominal lumens
- <sup>2</sup>82 CRI standard / 90 CRI available
- <sup>3</sup>Reflector is painted white - RAL 9010, 30% Gloss.



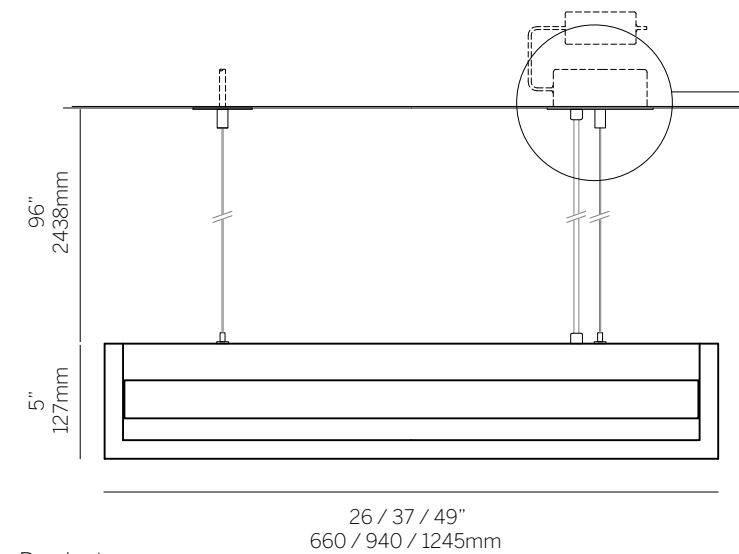
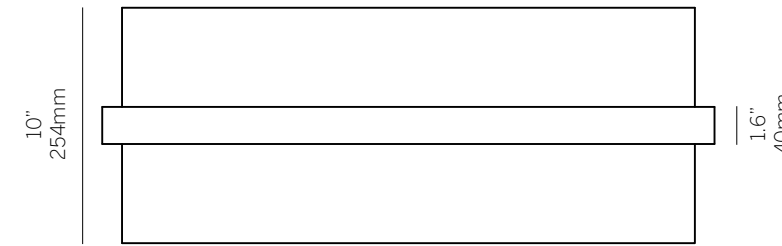
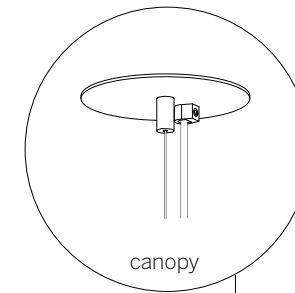
For up to date technical information, refer to [inter-lux.com/alm](http://inter-lux.com/alm)





## Wing AR

Wing AR pendant or surface mounted provides glare-free direct/indirect illumination from a simple architectural shape. A symmetrical, translucent reflector directs light down as well as allows light to softly illuminate the ceiling above.



Pendant



Surface

### Notes

- <sup>1</sup>Nominal lumens
- <sup>2</sup>82 CRI standard / 90 CRI available
- <sup>3</sup>Reflector opal acrylic. Canopy finish matches housing
- <sup>4</sup>96" clear insulated cable standard

### Model 1821

1821

### Type

- P Pendant
- S Surface

### Size

- 26 26"
- 37 37"
- 49 49"
- Custom

### Wattage<sup>1</sup>

- 26"
  - L 6W (800lm)
  - M 12W (1486lm)
  - H 20W (2348lm)
- 37"
  - L 9W (1133lm)
  - M 17W (2106lm)
  - H 28W (3326lm)
- 49"
  - L 12W (1533lm)
  - M 23W (2848lm)
  - H 38W (4500lm)

### Color Temp<sup>2</sup>

- 827 2700
- 830 3000
- 835 3500
- 840 4000

### Voltage

- U 120/277
- 1 120VAC only

### Control (Remote 24V)

- S Non-dim
- D010 0-10V 10%
- DFPN Lutron Forward Phase 1% 120VAC
- L3DAE Lutron Hi-lume 1% EcoSystem
- L3DOE Lutron Hi-lume Premier 0.1% EcoSystem

### Diffuser

- SW Satin opal acrylic **SW**

### Finish<sup>3</sup>

- 19 Painted anodized aluminum - RAL 9006 matte
- 21 Painted white - RAL 9010 matte
- 22 Painted custom color

### Options

- CC Clear insulated cable (standard)<sup>4</sup>
- WC White cable
- BC Black cable



For up to date technical information, refer to [inter-lux.com/alm](http://inter-lux.com/alm)



# Photo Credits

<b>cover</b> project location architect lighting design photography product	<b>Salisbury University</b> Salisbury, MD Sasaki MCLA Michael K. Wilkinson Gran Fuse	<b>page 22</b> project location architect photography product	<b>Carroll Community College</b> Carroll Community, MD Grimm + Parker Alain Jaramillo Gran Fuse	<b>page 51</b> project location architect lighting design photography product	<b>Salisbury University</b> Salisbury, MD Sasaki MCLA Michael K. Wilkinson Nordik
<b>page 1/2</b> project location architect photography product	<b>Laurel Library</b> Laurel, MD Grimm + Parker Michael K. Wilkinson Arc / Fuse	<b>page 23</b> project location architect photography product	<b>Laurel Library</b> Laurel, MD Grimm + Parker Michael K. Wilkinson Arc	<b>page 55</b> project location architect product	<b>Kennedy Center</b> Washington, DC Group Goetz Archt Puck
<b>page 3/4</b> project location architect photography product	<b>Friends of the Earth</b> Washington, DC greg(g) horgan architecture Michael Wilkinson Ciro	<b>page 25</b> project location architect photography product	<b>Northern VA Community College</b> Northern, VA Grimm + Parker Ken Wyner Arc UD	<b>page 57</b> project location architect photography product	<b>Olympus High School</b> Student Commons Holladay, Utah FFKR Architects Paul Richer Ring D
<b>page 5</b> project location architect photography product	<b>Laurel Library</b> Laurel, MD Grimm + Parker Michael K. Wilkinson Arc / Fuse	<b>page 27</b> project location architect photography product	<b>Laurel Library</b> Laurel, MD Grimm + Parker Michael K. Wilkinson Arc Custom	<b>page 59</b> project location architect photography product	<b>ElkrIDGE Library</b> ElkrIDGE, MD Grimm + Parker Sam Kittner Ring UD
<b>page 7</b> project location architect lighting design product	<b>W Hotel</b> Fort Lauderdale, FL Adache Associates/ Clodagh MCLA Ring	<b>page 28</b> project location architect photography product	<b>Northern VA Community College</b> Northern, VA Grimm & Parker Ken Wyner Arc Custom	<b>page 61</b> project location architect product	<b>Carroll City Community College</b> Carroll City, MD Grimm + Parker Ring U
<b>page 8</b> project location architect product	<b>South Lake</b> Herndon, VA Noritake Architects Clearline Custom	<b>page 29</b> project location product	<b>"Mepas Mall" Mostar</b> Mostar, BiH Aura	<b>page 69</b> project location architect product	<b>Metropolitan</b> Rockville, MD R2L Architects Stick
<b>page 9</b> project location architect lighting design photography product	<b>Salisbury University</b> Salisbury, MD Sasaki MCLA Michael K. Wilkinson Gran Fuse	<b>page 31</b> project location architect photography product	<b>Friends of the Earth</b> Washington, DC greg(g) horgan architecture Michael Wilkinson Ciro SQ	<b>page 71</b> project location architect photographer product	<b>Gum Springs Library</b> Aldie, VA Lukmire Archt / Grimm Parker Ken Wyner Stick M
<b>page 11</b> project location architect photography product	<b>St. Coletta School</b> Washington, DC Robert AM Stern arch Bliss Fassman LD Custom	<b>page 37</b> project location architect product	<b>Metropolitan</b> Rockville, MD R2L Architects City Outdoor	<b>page 73</b> project location architect lighting design product	<b>First Residences</b> Washington, DC Hickok Cole CM Kling Wedge
<b>page 12</b> project location architect lighting design product	<b>Dulles International Airport</b> Washington, DC SOM MCLA Custom	<b>page 41</b> project location architect product	<b>Savage Branch &amp; Stem Education Center</b> Laurel, MD Grimm + Parker Clearline Ceiling	<b>page 80</b> project location architect lighting design photographer product	<b>Temple Adath Israel</b> Merion Station, PA Atkin Olshin Schade Architects BEAM, ltd. Stephen Hoppe Custom Hex Assembly & Candle Sticks
<b>page 13/14 (all photos)</b> project location lighting design product	<b>Aspers Casino</b> Westfield Stratford City, London lighting Gravity Design Custom Rings	<b>page 45</b> project location architect photography product	<b>Laurel Library</b> Laurel, MD Grimm + Parker Michael K. Wilkinson Frame	<b>page 81</b> project location architect photography product	<b>Northern VA Community College</b> Northern, VA Grimm + Parker Ken Wyner Gran Fuse
<b>page 15/16</b> project location product	<b>Windsor Racetrack Casino</b> Windsor, Ontario Custom	<b>page 47</b> project location architect product	<b>Columbia Library</b> Columbia, MD Grimm + Parker Fuse	<b>page 49</b> project location architect photography product	<b>Carroll Community College</b> Carroll Community, MD Grimm + Parker Alain Jaramillo Gran Fuse





